

# Magliner Self Stabilizing C-Stand Carts



# Magliner Self Stabilizing C-Stand Cart

Part No. MAG-01 SS CS-10X

Sale Price: \$ 745.00

Material: Aluminum (80%) Steel (20%)

Color: Natural Aluminum / Semi Gloss Black

Max. Capacity: 500 lbs. / 227.3 kgs.

Weight: 42 lbs. / 19 kgs.

Dimensions: D39" x W20 1/2" x H44"

L99cm x W52cm x H111.7cm

## Features:

- Self Stabilizing Hand Truck
- Accommodates (10) C-Stands with Arms and Knuckles (20" & 40")
- Horizontal Loop Handle with Vinyl Sleeve
- Large 20" x 12 3/4" Base Plate
- Wheels: (2) 10" Swivel Casters & (2) 5" Rotacaster Double Row Multi-Directional Wheels

## Accessories:

- Utility Box (**MAG-01 SS UB**) \$ 175.00

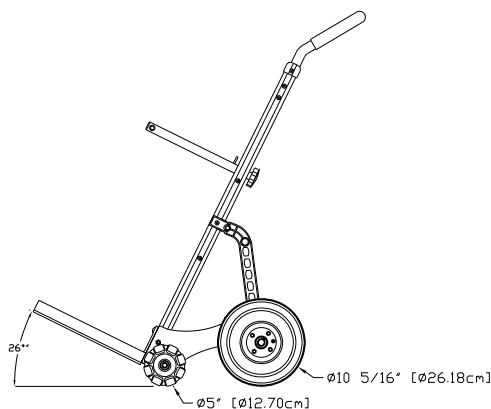
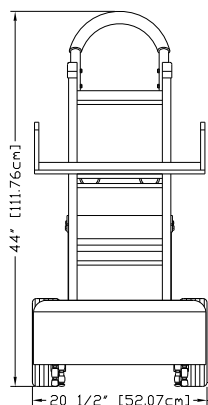
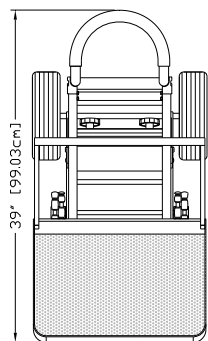
## Options:

- Foam Filled Tires (2) (**WA-10 FOAM OS**) \$ 90.00

## Replacement parts:

- 10" Pneumatic Offset Wheel with 5/8" Bearings (**W-10 OS58X**) \$ 44.00
- 10" Pneumatic Tire (**WA-10 TIRE**) \$ 21.50
- 10" Pneumatic Tube (**WA-10 TUBE**) \$ 8.00
- 5" Rotacaster Double Row Multi-Directional Wheel (**W-05 RC-DR**) \$ 32.00

Shipping Dimensions: L13" x W22" x H51" (50 lbs.) Assembled  
L33cm x W55.9cm x H129.5cm (22.3 kgs.)





# Magliner Self Stabilizing C-Stand Cart (UK)

**Part No. MAG-01 SS CS-10X UK**

**Sale Price:** \$ 875.00

**Material:** Aluminum (80%) Steel (20%)

**Color:** Natural Aluminum / Semi Gloss Black

**Max. Capacity:** 500 lbs. / 227.3 kgs.

**Weight:** 49 lbs. / 22.3 kgs.

**Dimensions:** D39" x W20 1/2" x H44"

L99cm x W52cm x H111.7cm

**Features:**

- Self Stabilizing Hand Truck
- Accomodates (10) C-Stands (20" & 40")
- Accomodates (10) C-Stand Arms
- Accomodates (10) C-Stands Knuckles (Optional)
- Horizontal Loop Handle with Vinyl Sleeve
- Large 20" x 14" Base Plate
- Wheels: (2) 10" Swivel Casters & (2) 5" Rotacaster Double Row Multi-Directional Wheels

**Accessories:**

- Utility Box (**MAG-01 SS UB**) \$ 175.00

**Options:**

- Foam Filled Tires (2) (**WA-10 FOAM OS**) \$ 90.00

**Replacement parts:**

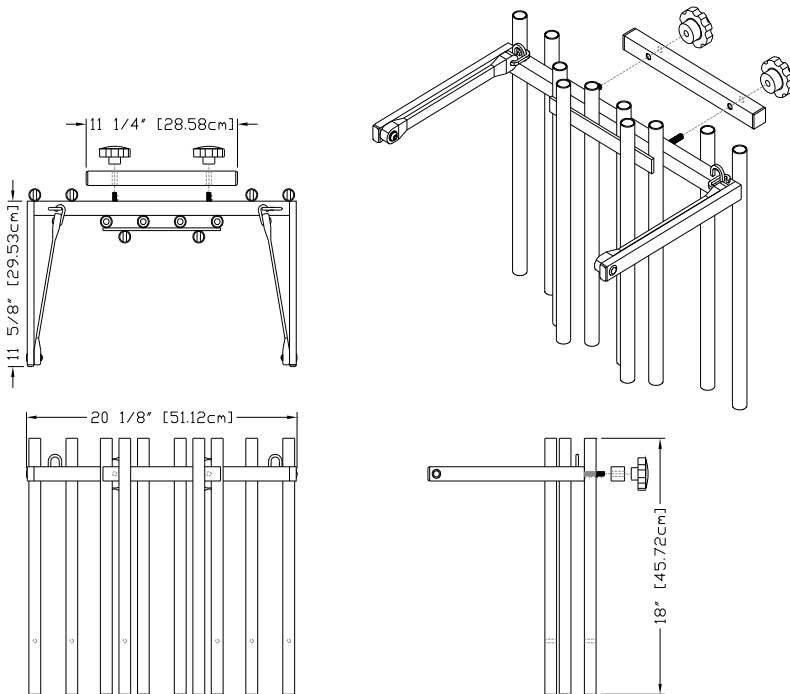
- 10" Pneumatic Offset Wheel with 5/8" Bearings (**W-10 OS58X**) \$ 44.00
- 10" Pneumatic Tire (**WA-10 TIRE**) \$ 21.50
- 10" Pneumatic Tube (**WA-10 TUBE**) \$ 8.00
- 5" Rotacaster Double Row Multi-Directional Wheel (**W-05 RC-DR**) \$ 32.00

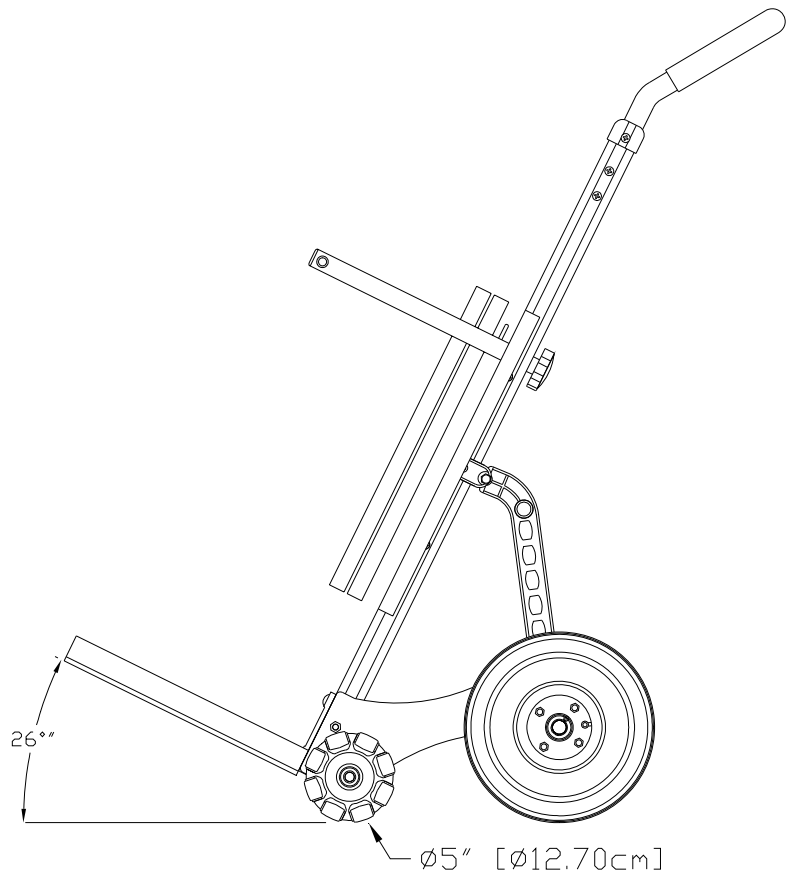
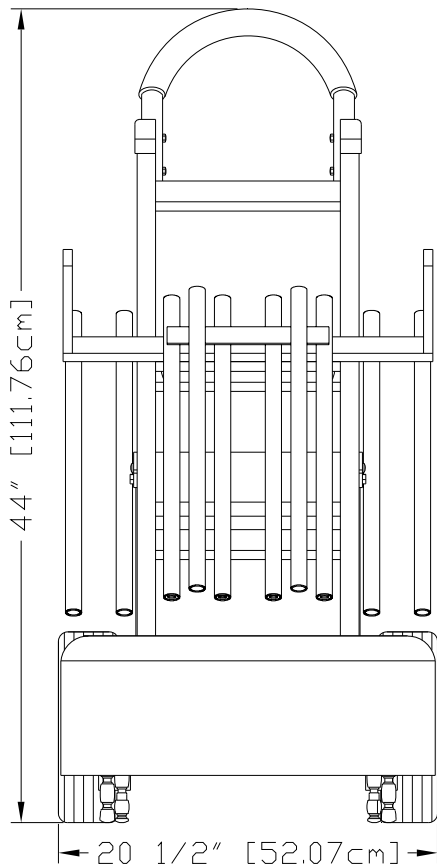
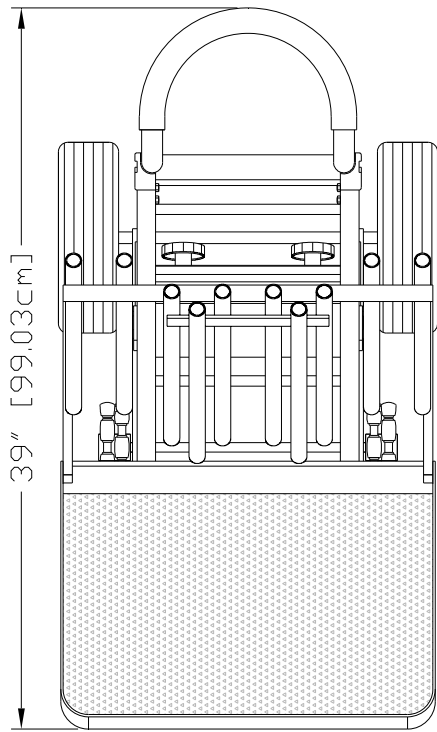
**Shipping Dimensions:** D16" x W22" x H51" (58 lbs.) Assembled

L40.6cm x W55.9cm x H129.5cm (26.4 kgs.)



**Utility Box (MAG-01 SS UB)**  
(D8" x W14" x H6" / D20.3cm x W35.6cm x H15.2cm)





## Backstage Equipment, Inc.

8052 Lankershim Bl. • North Hollywood, CA 91605 • USA

Tel (818) 504-6026 • Fax (818) 504-6180 • [info@backstageweb.com](mailto:info@backstageweb.com) • [www.backstageweb.com](http://www.backstageweb.com)