

SkyPanel Carts





SkyPanel 120 Cart

Part No. E-17

Sale Price: \$ 2,950.00

Material: Steel

Color: Black Texture

Max. Capacity: 1000 lbs. /454.6 kgs.

Weight: 476 lbs. / 216.4 kgs.

Dimensions: L60" x W28" x H75"

L152.4cm x W71.1cm x H190.5cm

Features:

- All Steel Construction
- Accomodates up to eight (8) SkyPanel 120 or 60 or 30 Fixtures
- Accomodates up to eight (8) SkyPanel 60 and eight (8) SkyPanel 30 Fixtures with optional SkyPanel Stackable Shelves
- Accomodates up to sixteen (16) SkyPanel 30 with optional SkyPanel Stackable Shelves
- Accomodates up to eight (8) Power Supplies and Cables
- "D" Style Push / Pull Handles
- Wheels: (2) 10" Swivel Casters & (2) 10" Rigid Casters
- Jockey Box Holds (2) Half Milk Crates
- Locking Bars (4) keep SkyPanels secured in cart
- Foot Brake

Accessories:

- SkyPanel Stackable Shelf (A-17 B) \$ 145.00

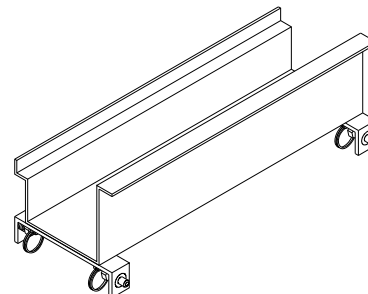
Options:

- Half Milk Crate (B-05) \$ 20.00
- Half Milk Crate Liner (B-06) \$ 10.00
- Foam Filled Tires (4) (WA-10 FOAM CTR) \$ 170.00

Replacement parts:

- 10" Pneumatic Tire (WA-10 TIRE) \$ 20.50
- 10" Pneumatic Tube (WA-10 TUBE) \$ 7.50
- 10" Pneumatic Rigid Caster Wheel (W-10 RCX) \$ 52.50
- 10" Pneumatic Swivel Caster Wheel (W-10 SCX) \$ 58.00
- Locking Bar (E-17 C) \$ 72.00

Shipping Dimensions: L57" x W29" x H80" (494 lbs.) Includes Pallet
L144.8cm x W73.7cm x H203.2cm (224.6 kgs.)

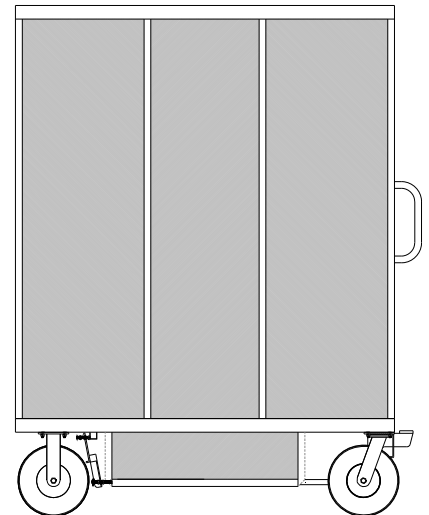
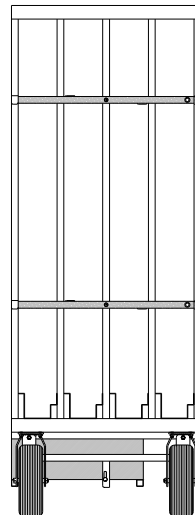
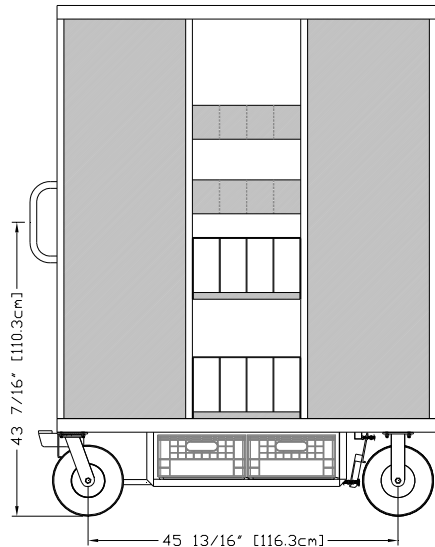
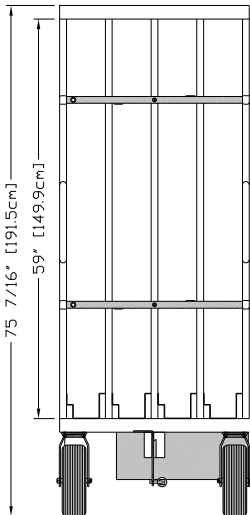
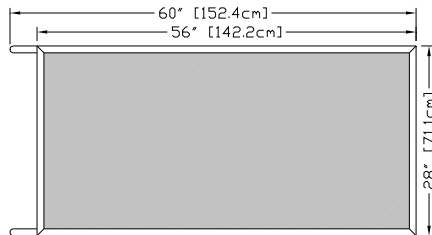
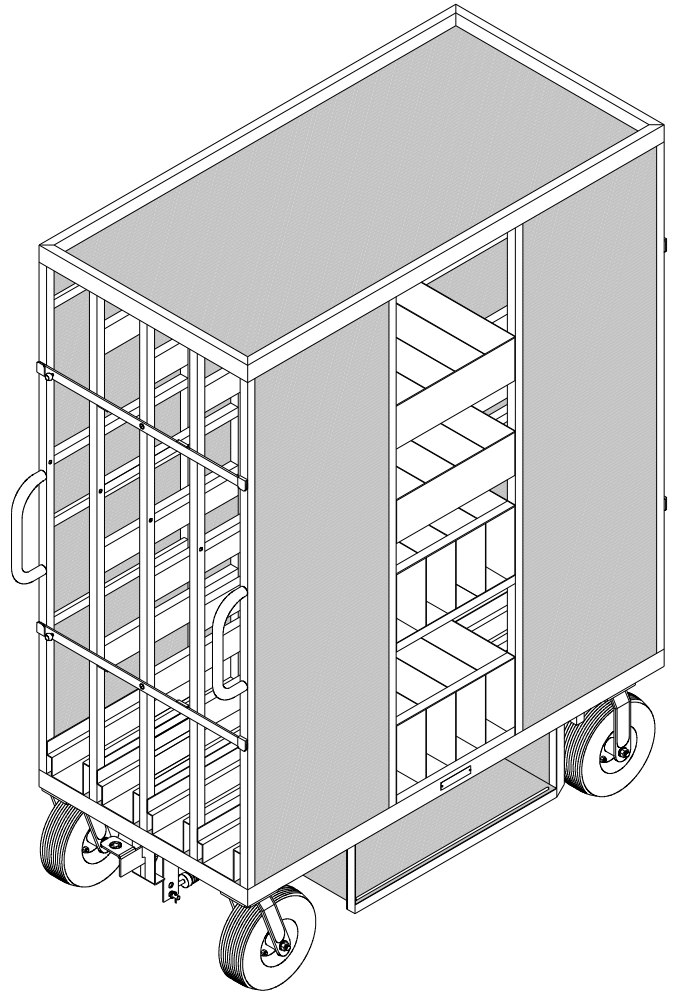


SkyPanel Stackable Shelf (A-17 B) \$ 145.00





SkyPanel 120 Cart (Cont.)





SkyPanel 60 Cart

Part No. E-18 MINI

Sale Price: \$ 2,450.00

Material: Steel

Color: Black Texture

Max. Capacity: 1000 lbs. /454.6 kgs.

Weight: 273 lbs. / 124 kgs.

Dimensions: L48" x W21 1/4" x H51 1/4"
L122cm x W54cm x H130.2cm

Features:

- All Steel Construction
- Accomodates up to five (5) SkyPanel 60 or 30 Fixtures
- Accomodates up to five (5) Power Supplies and Cables
- Accomodates three (3) Ful Size Milk Crates
- "D" Style Push / Pull Handles
- Wheels: (2) 10" Swivel Casters & (2) 10" Rigid Casters
- Jockey Box Holds (1) Half Milk Crate
- Locking Bars (2) keep SkyPanels secured in cart
- Foot Brake

Accessories:

Options:

- Full Milk Crate **(B-03)** \$ 20.00
- Half Milk Crate **(B-05)** \$ 20.00
- Full Milk Crate Liner **(B-04)** \$ 10.50
- Half Milk Crate Liner **(B-06)** \$ 10.00
- Foam Filled Tires (4) **(WA-10 FOAM CTR)** \$ 170.00

Replacement parts:

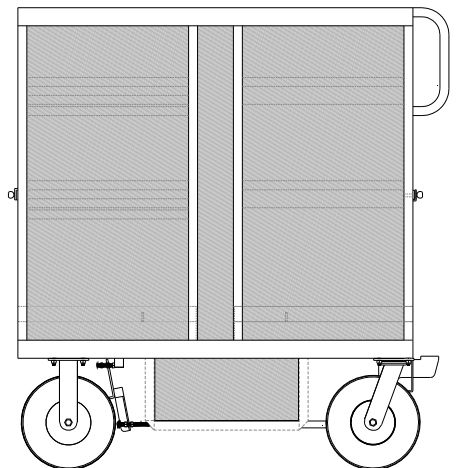
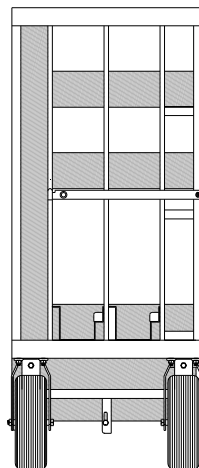
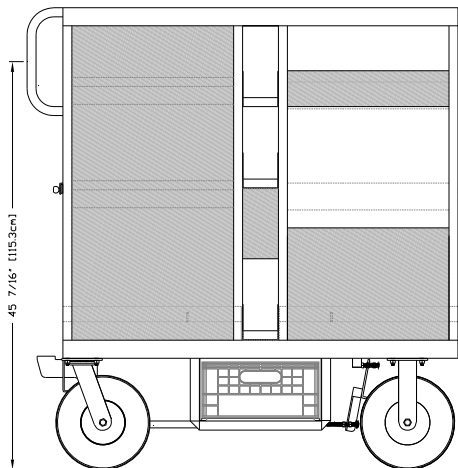
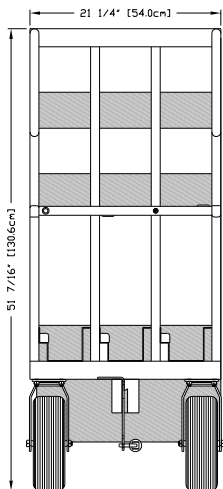
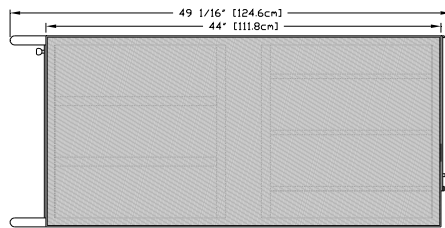
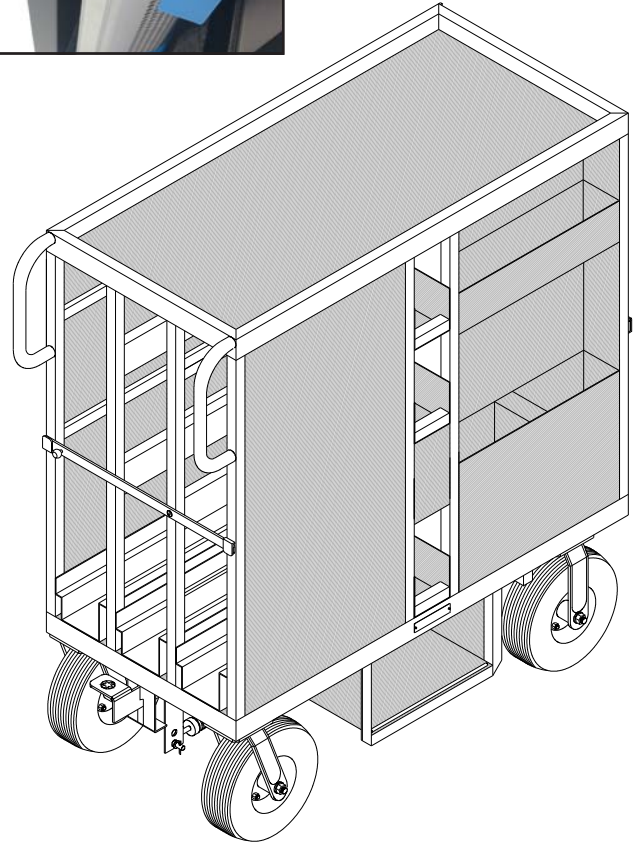
- 10" Pneumatic Tire **(WA-10 TIRE)** \$ 20.50
- 10" Pneumatic Tube **(WA-10 TUBE)** \$ 7.50
- 10" Pneumatic Rigid Caster Wheel **(W-10 RCX)** \$ 52.50
- 10" Pneumatic Swivel Caster Wheel **(W-10 SCX)** \$ 58.00
- Front Locking Bar **(E-18 MINI D)** \$ 44.00
- Rear Locking Bar **(E-18 MINI E)** \$ 48.00

Shipping Dimensions: L49" x W22" x H57" (300 lbs.) Includes Pallet
L124.5cm x W55.9cm x H144.8cm (136.4 kgs.)





SkyPanel 60 Cart (Cont.)





SkyPanel 360 Cart

Part No. E-19

Sale Price: \$ 2,750.00

Material: Steel

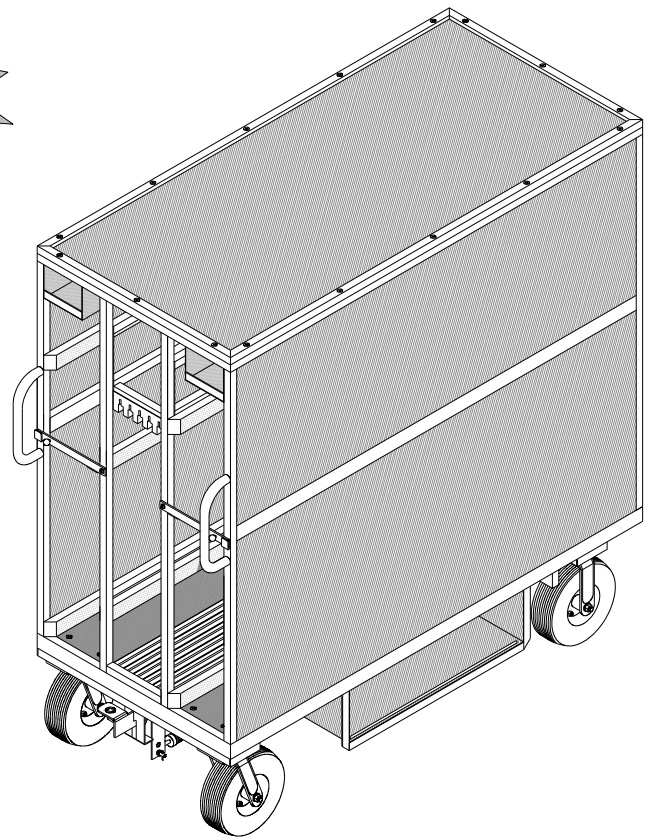
Color: Black Texture

Max. Capacity: 1000 lbs. / 454.6 kgs.

Weight: 435 lbs. / 197.7 kgs.

Dimensions: L68" x W30" x H67 1/8"

L172.7cm x W76.2cm x H170.5cm



NOTE: Milk Crates not included

Features:

- All Steel Construction
- Accomodates (2) SkyPanel 360
- Accomodates (2) Power Supply Units and Cables
- Accomodates up to five (5) SkyPanel 360 Diffusion or/and Intensifiers
- Accomodates (2) Short Yokes
- "D" Style Push / Pull Handles
- Wheels: (2) 10" Swivel Casters & (2) 10" Rigid Casters
- Jockey Box Holds (2) Half Milk Crates
- Locking Bars (2) keep SkyPanels secured in cart
- Foot Brake

Accessories:

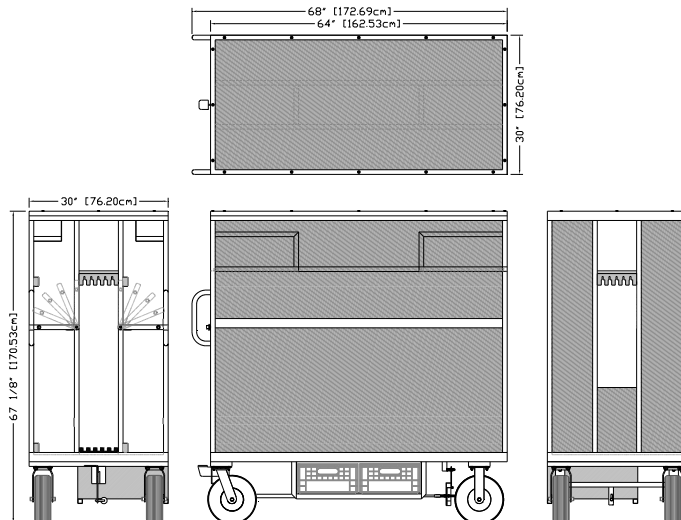
Options:

- Half Milk Crate (B-05) \$ 20.00
- Half Milk Crate Liner (B-06) \$ 11.00
- Foam Filled Tires (4) (WA-10 FOAM CTR) \$ 180.00

Replacement parts:

- 10" Pneumatic Tire (WA-10 TIRE) \$ 21.50
- 10" Pneumatic Tube (WA-10 TUBE) \$ 8.00
- 10" Pneumatic Rigid Caster Wheel (W-10 RCX) \$ 55.00
- 10" Pneumatic Swivel Caster Wheel (W-10 SCX) \$ 60.50
- Locking Bar (E-19 G) \$ 36.00

Shipping Dimensions: L69" x W31" x H72" (480 lbs.) Includes Pallet
L175.3cm x W78.8cm x H182.9cm (218.2 kgs.)



ARRI S360 SkyPanel courtesy of ARRI, Inc.



Backstage Equipment, Inc.

8052 Lankershim Bl. • North Hollywood, CA 91605 • USA

Tel (818) 504-6026 • Fax (818) 504-6180 • info@backstageweb.com • www.backstageweb.com