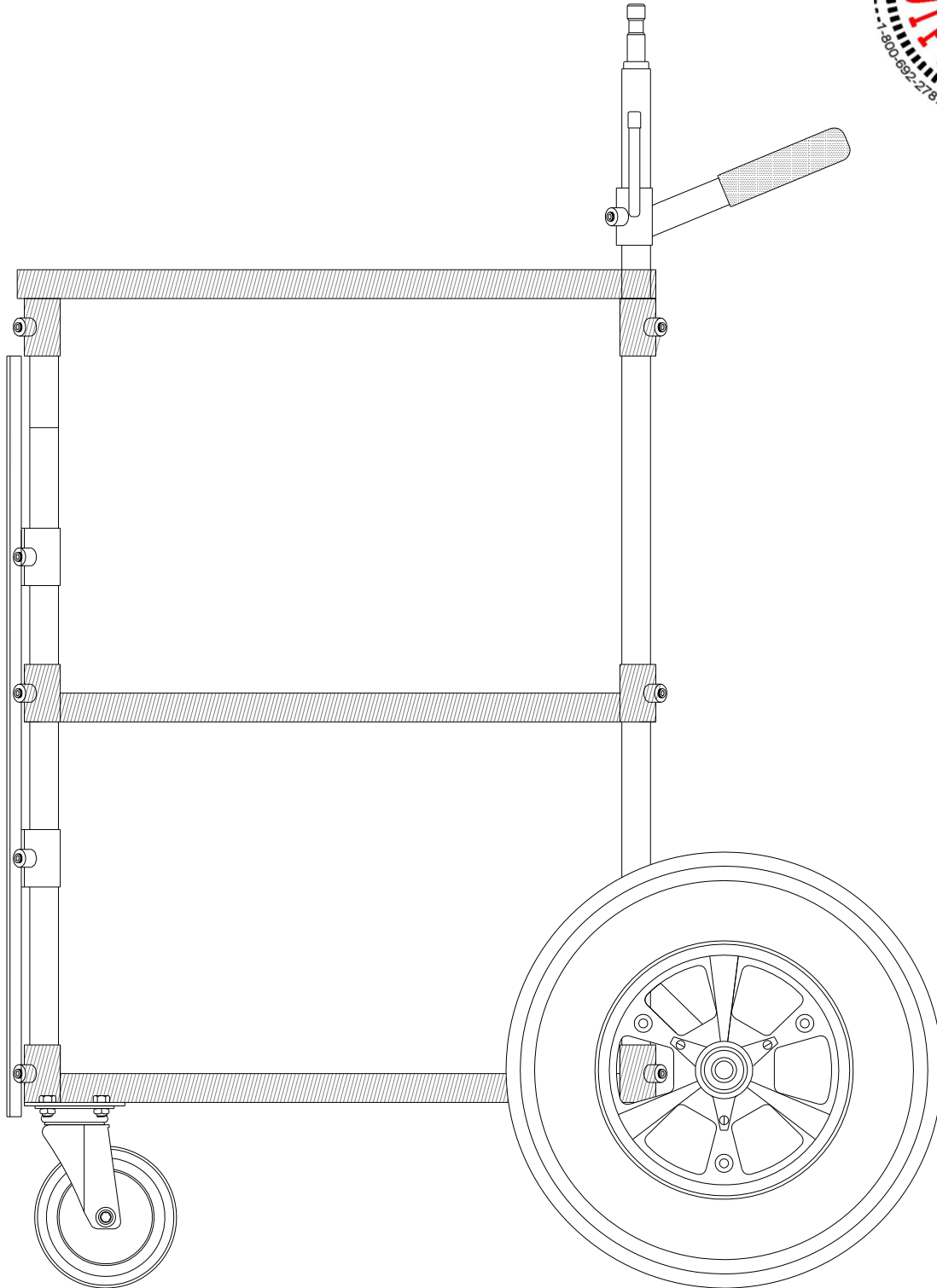


TR-01 Transformer Carts



TR-01 Transformer Cart

Part No. TR-01

Sale Price: \$ 1,075.00

Material: Steel

Color: Black

Max. Capacity: 500 lbs. / 227 kgs.

Weight: 58 lbs. / 26.4 kgs.

Dimensions: D33" x W29 1/2" x H44 1/2"
L83.8cm x W75cm x H111.3cm

The Transformer Cart is a fully collapsible cart used for Video, Sound and Remote Head. It is held together by four vertical posts which attach to a Bottom, Middle and Top Shelf by using telescopic locks operated with a 5/32 Allen wrench. All accessories are attached in the same manner. Middle Shelf, Handles, Rack Mounts and all available accessories can be adjusted to your desired height.

Additional Rack Mounts may be installed on rear section of cart for additional accessories. Custom size vertical poles may be ordered to change height of cart.

Features:

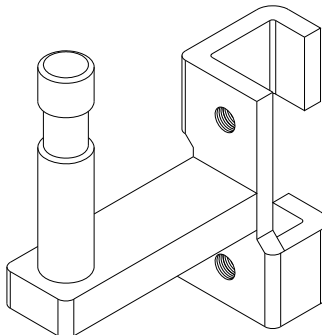
- Top Shelf (D22" x W22" x H1" ID) (56cm x W56cm x H2.5cm ID)
- Middle Shelf (Adjustable) (D19 1/4" x W20" x H1" ID) (L49cm x W51cm x H2.5cm ID)
- Bottom Shelf (D19 1/4" x W20" x H1" ID) (L50cm x W51cm x H2.5cm ID)
- (2) Front Vertical Posts (L1 x W1" x H28") (L2.5cm x W2.5cm x H71.1cm")
- (2) Rear Vertical Posts (L1 x W1" x H36") (L2.5cm x W2.5cm x H91.4cm")
- (2) 5/8" Baby Pins accommodate Monitors, Monitor Trays and accessories
- (2) 19" Adjustable Rack Mounts (length 24 3/4") accommodate (14) Rack Mount spaces

Note Rack Mount space equals 1 3/4"

- (2) Handles with Cable Hooks
- (2) 5/8" Diameter Adjustable Axles
- Wheels: (2) 5" Thermal Swivel Casters with Brake & (2) 16" Pneumatic Cable Crawlers
- Transformer system, fully collapsible

Accessories:

- Nagra Sound Tray (TR-01 N) \$ 175.00
- Loading Wheel Kit (TR-01 LX) \$ 155.00
- 3" Cable Hook (TR-01 CH3) \$ 24.00
- 6" Cable Hook (TR-01 CH6) \$ 26.00
- VPB 5/8" Baby Pin (TR-01 S) \$ 32.00 (Mounts on top of Vertical Poles)
- VPB 5/8" Baby Pin (Left) (TR-01 S-L) \$ 48.00
- VPB 5/8" Baby Pin (Right) (TR-01 S-R) \$ 48.00
- VPB Snap-On 5/8" Baby Pin (TR-01 S-SO) \$ 75.00 (See CAD drawing below)
- (Same as TR-01 S-L and TR-01 S-R, but can be installed without taking cart apart)
- VPB 5/8" Baby Pin (Left) Set at 45 degrees (TR-01 S-L 45) \$ 55.00
- VPB 5/8" Baby Pin (Right) Set at 45 degrees (TR-01 S-R 45) \$ 55.00
- Mic Boom Grip & Base (MAG-R2) \$ 34.00
- Mic Boom Grip & Base (MAG-R4) \$ 36.00
- Drawer (2-space) latch & lock (MAG-L2 PE-15) \$ 115.00
- Drawer (3-space) latch & lock (MAG-L3 PE-15) \$ 125.00
- Drawer (4-space) latch & lock (MAG-L4 PE-15) \$ 135.00
- Sliding Shelf with lock (1-space) (TR-01 SS) \$ 215.00
- Sliding Shelf (2-space) (TR-01 SS PE2) \$ 135.00
- Small K/B Slide Tray (TR-01 KBSS) \$ 305.00
- Lap Top Drawer with Lock (TR-01 LTD PE) \$ 115.00
- 9-Outlet Rack Power Strip (TR-01 PD9) \$ 160.00
- 24" Rack Mount Set (TR-01 R24X) \$ 80.00
- Umbrella (MAG-U) \$ 275.00 (Canvas: White, Red, Black)
- Umbrella Holder (MAG-UH) \$ 95.00
- VPB Cross Bar with 5/8" Baby Pin (TR-01 S-CB) \$ 115.00
- Rain Tent Umbrella w/ Skirts (MAG-U RT) \$ 1,225.00
- HD DIT Tent (MAG-U HD) \$ 1,150.00



TR-01 S-SO VPB Snap-On 5/8" Baby Pin \$ 75.00



TR-01 Cart shown with optional 9" Monitor Trays (VA-01), 4-Space Sliding Drawer with lock (MAG-L4), Umbrella (MAG-U), Umbrella Holder (MAG-UH), and Cross Bar with 5/8" Baby Pin (TR-01 S-CB).



TR-01 SS Sliding Shelf (1-Space) \$ 215.00



MAG-L3 PE-15 Sliding Drawer w/ Lock & Latch (3-space) \$ 125.00



TR-01 Transformer Cart (Cont.)

Accessories (Cont.):

- 9" Monitor Tray (VA-01) \$ 165.00
- 13" Monitor Tray (VA-02) \$ 175.00
- VPB Vertical Baby Riser (Adjustable) (TR-01 VPR) \$ 232.00 (Includes one of each: MAG-LCD TH-LD BK, MAG-LCD MR-04, MAG-01 VPR-B, TR-01 Z)
- Mag LCD Tilter Head with 75/100mm VESA Plate (3-24 lbs.) (MAG-LCD TH-LD BK) \$ 80.00
- Mag LCD Tilter Head with 75/100mm VESA Plate (20-35 lbs.) (MAG-LCD TH-MD BK) \$ 110.00
- Mag LCD 4" Tilt Head Pin Adapter (MAG-LCD MR-04) \$ 48.00
- Mag Baby Pin Riser (MAG-01 VPR-B ST) \$ 68.00
- VPB Adapter to Mag Baby Pin Riser (TR-01 Z) \$ 36.00

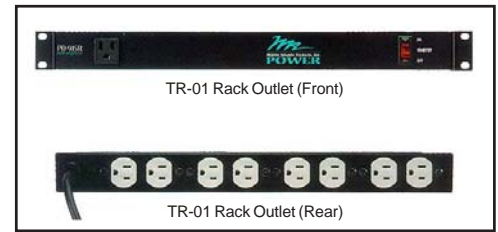
Options:

- 20" Knobby BMX Wheel Set (5/8 Bore) (W-20 58X) \$ 150.00
- VPB 20" Axle Set (TR-01 D20-X) \$ 84.00

Replacement parts:

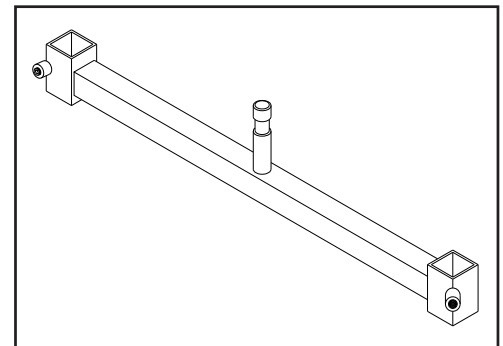
- 5" Thermal Swivel Caster with Brake (W-05 SCBRX) \$ 21.25
- 16" Pneumatic Wheel with 5/8" Bearings (W-16 CC58X) \$ 110.00
- 16" Pneumatic Tire (WA-16 TIRE) \$ 21.00
- 16" Pneumatic Tube (WA-16 TUBE) \$ 9.00
- 5/8" Sealed Bearing (WA-58 BR) \$ 2.50 (2) needed per wheel

Shipping Dimensions: L26" x W26" x H26" (71 lbs.) & L5" x W5" x H45" (11 lbs.)
 L66cm x W66cm x H66cm (32.3 kgs.) &
 L12.7cm x W12.7cm x H114.3cm (5 kgs.)

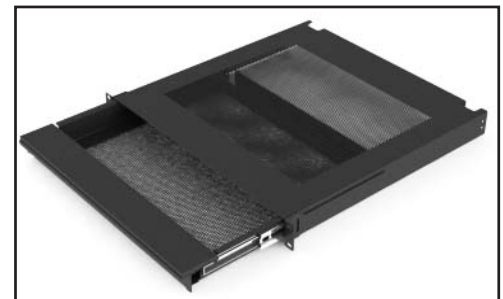


TR-01 PD9 9-Outlet Rackable Mount Power Strip (1-Space)

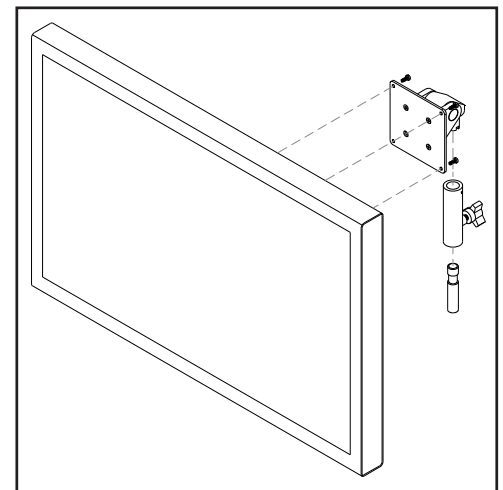
NOTE: 1-Space equals 1 3/4 inches



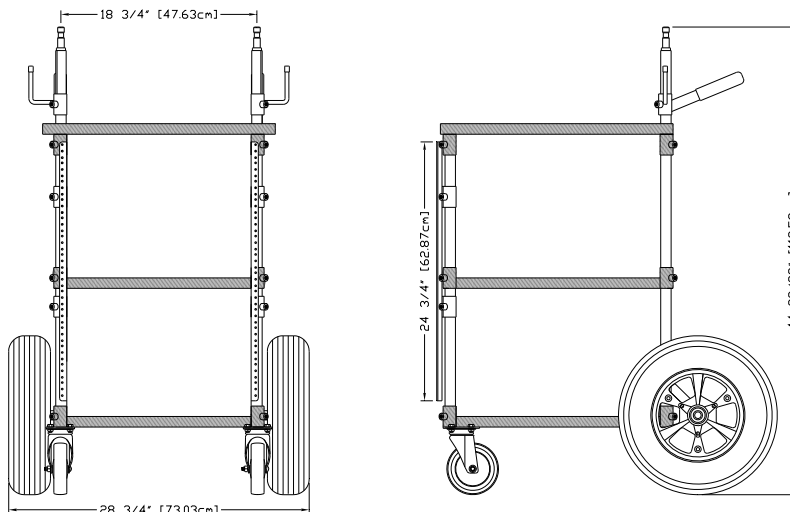
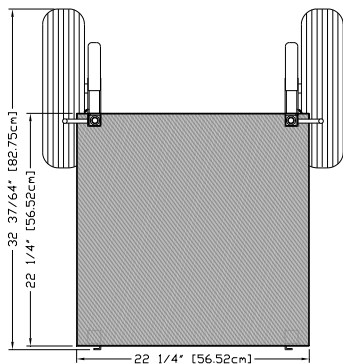
TR-01 S-CB Cross Bar with 5/8" Baby Pin \$ 115.00



TR-01 LTD PE Lap Top Drawer with Lock (1-Space) \$ 115.00



MAG-LCD TH-LD BK with MAG-LCD MR-04 docked on 5/8" Baby Pin



TR-01 8 Transformer Cart

Part No. TR-01 8

Sale Price: \$ 1,245.00

Material: Steel

Color: Black

Max. Capacity: 800 lbs. / 227 kgs.

Weight: 68 lbs. / 31 kgs.

Dimensions: D33" x W29 1/2" x H48"
L83.8cm x W75cm x H122cm

The Transformer Cart is a fully collapsible cart used for Video, Sound and Remote Head. It is held together by four vertical posts which attach to a Bottom, Middle and Top Shelf by using telescopic locks operated with a 5/32 Allen wrench. All accessories are attached in the same manner. Middle Shelf, Handles, Rack Mounts and all available accessories can be adjusted to your desired height. Additional Rack Mounts may be installed on rear section of cart for additional accessories. Custom size vertical poles may be ordered to change height of cart.

Features:

- Top Shelf (D22" x W22" x H1" ID) (56cm x W56cm x H2.5cm ID)
- Middle Shelf (Adjustable) (D19 1/4" x W20" x H1" ID) (L49cm x W51cm x H2.5cm ID)
- Bottom Shelf (D19 1/4" x W20" x H1" ID) (L50cm x W51cm x H2.5cm ID)
- (2) Front Vertical Posts (L1" x W1" x H28") (L2.5cm x W2.5cm x H71.1cm")
- (2) Rear Vertical Posts (L1" x W1" x H39") (L2.5cm x W2.5cm x H99cm")
- (2) 5/8" Baby Pins accommodate Monitors, Monitor Trays and accessories
- (2) 19" Adjustable Rack Mounts (length 24 3/4") accommodate (14) Rack Mount spaces

Note: 1 Rack Mount space equals 1 3/4"

- (2) Handles with Cable Hooks
- (2) 5/8" Diameter Adjustable Axles outfitted with Sand/Dune Wheel Axle Receivers
- Wheels: (2) 8" Pneumatic Swivel Casters with Brake & (2) 16" Pneumatic Cabl Crawlers
- Transformer system, fully collapsible

Accessories:

- Nagra Sound Tray (**TR-01 N**) \$ 175.00
- Loading Wheel Kit (**TR-01 LX**) \$ 155.00
- 3" Cable Hook (**TR-01 CH3**) \$ 24.00
- 6" Cable Hook (**TR-01 CH6**) \$ 26.00
- VPB Trans 5/8" Baby Pin (**TR-01 S**) \$ 32.00
- VPB 5/8" Baby Pin (Left) (**TR-01 S-L**) \$ 48.00
- VPB 5/8" Baby Pin (Right) (**TR-01 S-R**) \$ 48.00
- VPB Snap-On 5/8" Baby Pin (**TR-01 S-SO**) \$ 75.00
(See CAD drawing on page 2)
- (Same as **TR-01 S-L** and **TR-01 S-R**, but can be installed without taking cart apart)
- VPB 5/8" Baby Pin (Left) Set at 45 degrees (**TR-01 S-L 45**) \$ 55.00
- VPB 5/8" Baby Pin (Right) Set at 45 degrees (**TR-01 S-R 45**) \$ 55.00
- Mic Boom Grip & Base (**MAG-R2**) \$ 34.00
- Mic Boom Grip & Base (**MAG-R4**) \$ 36.00
- Drawer (2-space) latch & lock (**MAG-L2 PE-15**) \$ 115.00
- Drawer (3-space) latch & lock (**MAG-L3 PE-15**) \$ 125.00
- Drawer (4-space) latch & lock (**MAG-L4 PE-15**) \$ 135.00
- Sliding Shelf with lock (1-space) (**TR-01 SS**) \$ 215.00
- Sliding Shelf (2-space) (**TR-01 SS PE2**) \$ 135.00
- Small K/B Slide Tray (**TR-01 KBSS**) \$ 305.00
- Lap Top Drawer with Lock (**TR-01 LTD PE**) \$ 115.00
- 9-Outlet Rack Power Strip (**TR-01 PD9**) \$ 160.00
- 24" Rack Mount (Set) (**TR-01 R24X**) \$ 80.00
- Umbrella (**MAG-U**) \$ 275.00 (Canvas: White, Red, Black)
- Umbrella Holder (**MAG-UH**) \$ 95.00
- VPB Cross Bar with 5/8" Baby Pin (**TR-01 S-CB**) \$ 115.00
- Rain Tent Umbrella w/ Skirts (**MAG-U RT**) \$ 1,225.00
- HD DIT Tent (**MAG-U HD**) \$ 1,150.00



TR-01 8 Transformer Cart with optional Nagra Sound Tray (TR-01 N) and 4-Space Sliding Drawer with lock. (MAG-L4)



TR-01 8 Transformer Cart in loading position with optional Loading Wheel Kit (TR-01 LX), Nagra Sound Tray (TR-01 N) and 4-Space Sliding Drawer with lock. (MAG-L4)



TR-01 8 Transformer Cart (Cont.)

Accessories (Cont.):

- 9" Monitor Tray (VA-01) \$ 165.00
- 13" Monitor Tray (VA-02) \$ 175.00
- VPB Vertical Baby Riser (Adjustable) (TR-01 VPR) \$ 232.00 (Includes one of each: MAG-LCD TH-LD BK, MAG-LCD MR-04, MAG-01 VPR-B, TR-01 Z)
- Mag LCD Tilter Head with 75/100mm VESA Plate (3-24 lbs.) (MAG-LCD TH-LD BK) \$ 80.00
- Mag LCD Tilter Head with 75/100mm VESA Plate (20-35 lbs.) (MAG-LCD TH-MD BK) \$ 110.00
- Mag LCD 4" Tilt Head Pin Adapter (MAG-LCD MR-04) \$ 48.00
- Mag Baby Pin Riser (MAG-01 VPR-B ST) \$ 68.00
- VPB Adapter to Mag Baby Pin Riser (TR-01 Z) \$ 36.00

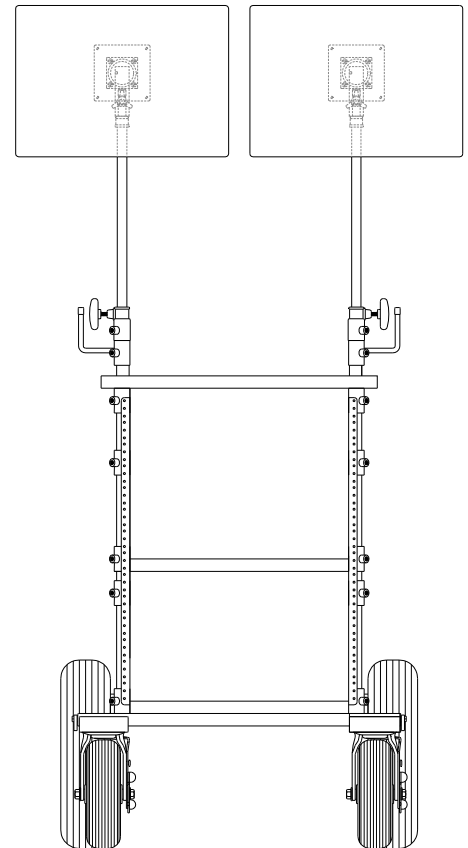
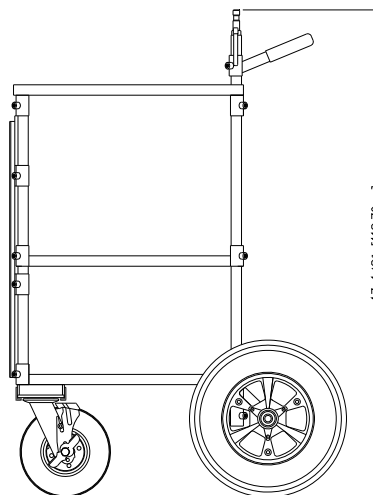
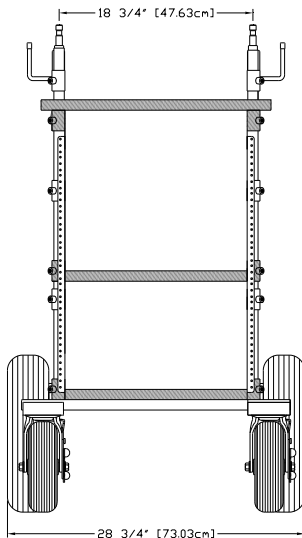
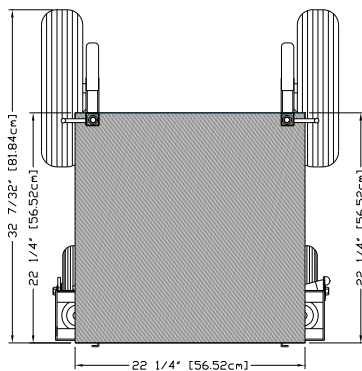
Options:

- 20" Knobby BMX Wheel Set (5/8 Bore) (W-20 58X) \$ 150.00
- VPB 20" Axle Set (TR-01 D20-X) \$ 84.00

Replacement parts:

- 8" Pneumatic Swivel Caster Wheel with Brake (W-08 SCBRX) \$ 49.50
- 16" Pneumatic Wheel with 5/8" Bearings (W-16 CC58X) \$ 110.00
- 16" Pneumatic Tire (WA-16 TIRE) \$ 21.00
- 16" Pneumatic Tube (WA-16 TUBE) \$ 9.00
- 5/8" Sealed Bearing (WA-58BR) \$ 2.50 (2) needed per wheel)

Shipping Dimensions: L26" x W26" x H26" (80 lbs.) & L5" x W5" x H45" (11 lbs.)
 L66cm x W66cm x H66cm (36.4 kgs.) &
 L12.7cm x W12.7cm x H114.3cm (5 kgs.)



TR-01 8 shown with (2) TR-01 VPR units, includes the following accessories:
(MAG-LCD TH-LD BK) Mag LCD Tilter Head with 75/100mm VESA Adapter Plate (3-24 lbs.) (2)
(MAG-LCD MR-04) Mag LCD 4" Tilt /Head Pin to 5/8" Baby Pin Adapter. (2)
(MAG-01 VPR-B ST) Mag Baby Pin Extension Riser (Steel) (2)
(TR-01 Z) VPB Adapter to Mag Baby Pin Riser (2)



TR-01-8 Cart shown with optional Sand/Dune Wheel Kit (TR-01 8-W)

TR-01 EFX Transformer Cart

Part No. TR-01 EFX

Sale Price: \$ 1,150.00

Material: Steel

Color: Black

Max. Capacity: 500 lbs. / 227 kgs.

Weight: 65 lbs. / 29.6 kgs.

Dimensions: D33" x W29 1/2" x H44 1/2"
L83.8cm x W75cm x H113cm

Same as the TR-01 Transformer Cart but with the ability to install an optional Sliding K/B & Mouse Tray. Cart is held together by four vertical posts which attach to a Bottom, Middle and Top Shelf by using telescopic locks operated with a 5/32 Allen wrench. All accessories are attached in the same manner. Middle Shelf, Handles, Rack Mounts and all available accessories can be adjusted to your desired height. Additional Rack Mounts may be installed on rear section of cart for additional accessories. Custom size vertical poles may be ordered to change height of cart.

Features:

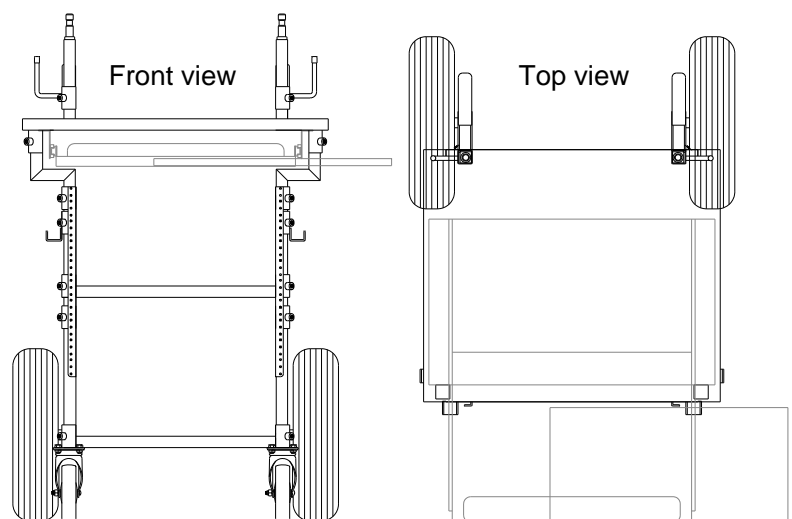
- Top Shelf (D22" x W22" x H1") (56cm x W56cm x H2.5cm)
- Middle Shelf (Adjustable) (D19 1/2" x W22" x H1") (L50cm x W56cm x H2.5cm)
- Bottom Shelf (D19 1/2" x W20" x H1") (L50cm x W51cm x H2.5cm)
- (2) Front Vertical Posts (L1 x W1" x H28") (L2.5cm x W2.5cm x H71.1cm")
- (2) Rear Vertical Posts (L1 x W1" x H39") (L2.5cm x W2.5cm x H99cm")
- (2) 5/8" Baby Pins accommodate Monitors, Monitor Trays and accessories
- (2) 19" Adjustable Rack Mounts (length 24 3/4") accommodate (14) Rack Mount spaces (1 Rack Mount space equals 1 3/4")
- (2) Handles with Cable Hooks
- (2) 5/8" Diameter Adjustable Axles
- Wheels: (2) 8" Pneumatic Swivel Casters with Brake & (2) 16" Pneumatic Cable Crawlers
- Transformer system, fully collapsible

Accessories:

- Loading Wheel Kit (**TR-01 LX**) \$ 155.00
- 3" Cable Hook (**TR-01 CH3**) \$ 24.00
- 6" Cable Hook (**TR-01 CH6**) \$ 26.00
- VPB Trans 5/8" Baby Pin (**TR-01 S**) \$ 32.00
- VPB 5/8" Baby Pin (Left) (**TR-01 S-L**) \$ 48.00
- VPB 5/8" Baby Pin (Right) (**TR-01 S-R**) \$ 48.00
- VPB Snap-On 5/8" Baby Pin (**TR-01 S-SO**) \$ 75.00
(See CAD drawing on page 2) (Same as TR-01 S-L and TR-01 S-R, but can be installed without taking cart apart)
- VPB 5/8" Baby Pin (Left) Set at 45 degrees (**TR-01 S-L 45**) \$ 55.00
- VPB 5/8" Baby Pin (Right) Set at 45 degrees (**TR-01 S-R 45**) \$ 55.00
- Mic Boom Grip & Base (**MAG-R2**) \$ 34.00
- Mic Boom Grip & Base (**MAG-R4**) \$ 36.00
- Drawer (2-space) latch & lock (**MAG-L2 PE-15**) \$ 115.00
- Drawer (3-space) latch & lock (**MAG-L3 PE-15**) \$ 125.00
- Drawer (4-space) latch & lock (**MAG-L4 PE-15**) \$ 135.00
- Sliding Shelf with lock (1-space) (**TR-01 SS**) \$ 215.00
- Sliding Shelf (2-space) (**TR-01 SS PE2**) \$ 135.00
- Small K/B Slide Tray (**TR-01 KBSS**) \$ 305.00
- K/B Mouse Slide Tray (**TR-01 MDKB**) \$ 215.00
- Lap Top Drawer with Lock (**TR-01 LTD PE**) \$ 115.00
- 9-Outlet Rack Power Strip (**TR-01 PD9**) \$ 160.00
- 24" Rack Mount (Set) (**TR-01 R24X**) \$ 80.00
- Umbrella (**MAG-U**) \$ 275.00 (Canvas: White, Red, Black)
- Umbrella Holder (**MAG-UH**) \$ 95.00
- VPB Cross Bar with 5/8" Baby Pin (**TR-01 S-CB**) \$ 115.00
- Rain Tent Umbrella w/ Skirts (**MAG-U RT**) \$ 1,225.00
- HD DIT Tent (**MAG-U HD**) \$ 1,150.00



TR-01 EFX shown with optional Sliding K/B & Mouse Tray, Nagra Tray, Sliding Shelf, 3-Space Sliding Drawer w/ lock & 9-Outlet Power Strip





TR-01 EFX Transformer Cart (Cont.)

Accessories (Cont.):

- 9" Monitor Tray (VA-01) \$ 165.00
- 13" Monitor Tray (VA-02) \$ 175.00
- VPB Vertical Baby Riser (Adjustable) (TR-01 VPR) \$ 232.00 (Includes one of each: MAG-LCD TH-LD BK, MAG-LCD MR-04, MAG-01 VPR-B, TR-01 Z)
- Mag LCD Tilter Head with 75/100mm VESA Plate (3-24 lbs.) (MAG-LCD TH-LD BK) \$ 80.00
- Mag LCD Tilter Head with 75/100mm VESA Plate (20-35 lbs.) (MAG-LCD TH-MD BK) \$ 110.00
- Mag LCD 4" Tilt Head Pin Adapter (MAG-LCD MR-04) \$ 48.00
- Mag Baby Pin Riser (MAG-01 VPR-B ST) \$ 68.00
- VPB Adapter to Mag Baby Pin Riser (TR-01 Z) \$ 36.00

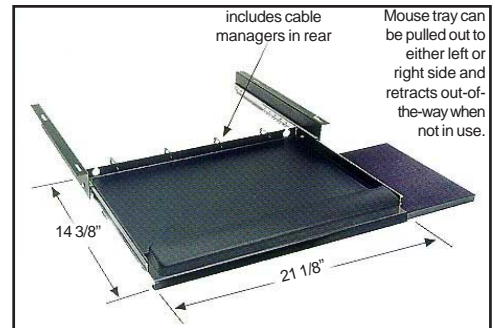
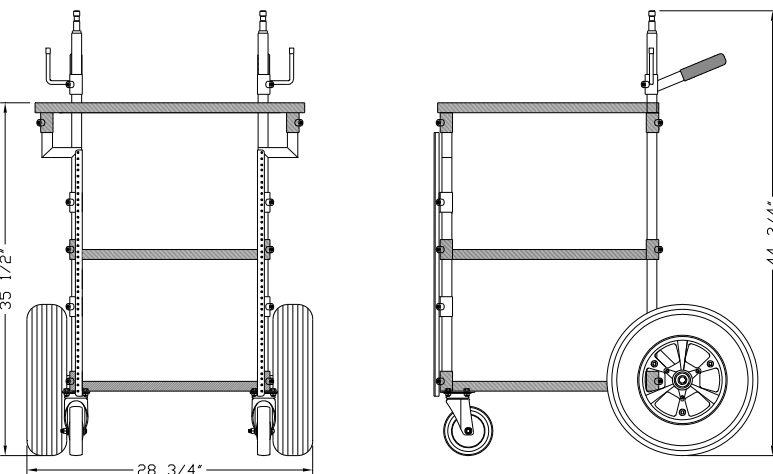
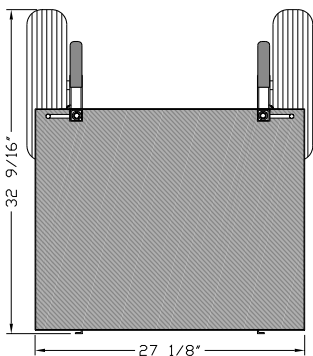
Options:

- K/B Mouse Slide Tray (TR-01 MDKB) \$ 215.00
- 20" Knobby BMX Wheel Set (5/8 Bore) (W-20 58X) \$ 150.00
- VPB 20" Axle Set (TR-01 D20-X) \$ 84.00

Replacement parts:

- 5" Thermal Swivel Caster with Brake (W-05 SCBRX) \$ 21.25
- 16" Pneumatic Wheel with 5/8" Bearings (W-16 CC58X) \$ 110.00
- 16" Pneumatic Tire (WA-16 TIRE) \$ 21.00
- 16" Pneumatic Tube (WA-16 TUBE) \$ 9.00
- 5/8" Sealed Bearing (WA-58BR) \$ 2.50 (2) needed per wheel

Shipping Dimensions: L33" x W25" x H25" (80 lbs.)
 L83.8cm x W63.5cm x H63.5cm (36.4 kgs.)



TR-01 MDKB Sliding Shelf w/ Keyboard & Mouse Tray \$215.00



TR-01 MDKB Installed on TR-01 EFX Cart

TR-01 EFX-8 Transformer Cart

Part No. TR-01 EFX-8

Sale Price: \$ 1,320.00

Material: Steel

Color: Black

Max. Capacity: 500 lbs. / 227 kgs.

Weight: 65 lbs. / 29.6 kgs.

Dimensions: D33" x W29 1/2" x H44 1/2"
L83.8cm x W75cm x H113cm

Same as the TR-01 8 Transformer Cart but with the ability to install an optional Sliding K/B & Mouse Tray.

Cart is held together by four vertical posts which attach to a Bottom, Middle and Top Shelf by using telescopic locks operated with a 5/32 Allen wrench. All accessories are attached in the same manner. Middle Shelf, Handles, Rack Mounts and all available accessories can be adjusted to your desired height.

Additional Rack Mounts may be installed on rear section of cart for additional accessories. Custom size vertical poles may be ordered to change height of cart.

Features:

- Top Shelf (D22" x W22" x H1") (56cm x W56cm x H2.5cm)
- Middle Shelf (Adjustable) (D19 1/2" x W22" x H1") (L50cm x W56cm x H2.5cm)
- Bottom Shelf (D19 1/2" x W20" x H1") (L50cm x W51cm x H2.5cm)
- (2) Front Vertical Posts (L1 x W1" x H28") (L2.5cm x W2.5cm x H71.1cm")
- (2) Rear Vertical Posts (L1 x W1" x H39") (L2.5cm x W2.5cm x H99cm")
- (2) 5/8" Baby Pins accommodate Monitors, Monitor Trays and accessories
- (2) 19" Adjustable Rack Mounts (length 24 3/4") accommodate (14) Rack Mount spaces (1 Rack Mount space equals 1 3/4")
- (2) Handles with Cable Hooks
- (2) 5/8" Diameter Adjustable Axles
- Wheels: (2) 8" Pneumatic Swivel Casters with Brake & (2) 16" Pneumatic Cable Crawlers
- Transformer system, fully collapsible

Accessories:

- Loading Wheel Kit (**TR-01 LX**) \$ 155.00
- 3" Cable Hook (**TR-01 CH3**) \$ 24.00
- 6" Cable Hook (**TR-01 CH6**) \$ 26.00
- VPB Trans 5/8" Baby Pin (**TR-01 S**) \$ 32.00
- VPB 5/8" Baby Pin (Left) (**TR-01 S-L**) \$ 48.00
- VPB 5/8" Baby Pin (Right) (**TR-01 S-R**) \$ 48.00
- VPB Snap-On 5/8" Baby Pin (**TR-01 S-SO**) \$ 75.00
(See CAD drawing on page 2) (Same as TR-01 S-L and TR-01 S-R, but can be installed without taking cart apart)
- VPB 5/8" Baby Pin (Left) Set at 45 degrees (**TR-01 S-L 45**) \$ 55.00
- VPB 5/8" Baby Pin (Right) Set at 45 degrees (**TR-01 S-R 45**) \$ 55.00
- Mic Boom Grip & Base (**MAG-R2**) \$ 34.00
- Mic Boom Grip & Base (**MAG-R4**) \$ 36.00
- Drawer (2-space) latch & lock (**MAG-L2 PE-15**) \$ 115.00
- Drawer (3-space) latch & lock (**MAG-L3 PE-15**) \$ 125.00
- Drawer (4-space) latch & lock (**MAG-L4 PE-15**) \$ 135.00
- Sliding Shelf with lock (1-space) (**TR-01 SS**) \$ 215.00
- Sliding Shelf (2-space) (**TR-01 SS PE2**) \$ 135.00
- Small K/B Slide Tray (**TR-01 KBSS**) \$ 305.00
- K/B Mouse Slide Tray (**TR-01 MDKB**) \$ 215.00
- Lap Top Drawer with Lock (**TR-01 LTD PE**) \$ 115.00
- 9-Outlet Rack Power Strip (**TR-01 PD9**) \$ 160.00
- 24" Rack Mount (Set) (**TR-01 R24X**) \$ 80.00
- Umbrella (**MAG-U**) \$ 275.00 (Canvas: White, Red, Black)
- Umbrella Holder (**MAG-UH**) \$ 95.00
- VPB Cross Bar with 5/8" Baby Pin (**TR-01 S-CB**) \$ 115.00
- Rain Tent Umbrella w/ Skirts (**MAG-U RT**) \$ 1,225.00
- HD DIT Tent (**MAG-U HD**) \$ 1,150.00



TR-01 EFX shown with optional Sliding K/B & Mouse Tray, Nagra Tray, Sliding Shelf, 3-Space Sliding Drawer w/ lock & 9-Outlet Power Strip





TR-01 EFX-8 Transformer Cart (Cont.)

Accessories (Cont.):

- 9" Monitor Tray (VA-01) \$ 165.00
- 13" Monitor Tray (VA-02) \$ 175.00
- VPB Vertical Baby Riser (Adjustable) (TR-01 VPR) \$ 232.00 (Includes one of each: MAG-LCD TH-LD BK, MAG-LCD MR-04, MAG-01 VPR-B ST, TR-01 Z)
- Mag LCD Tilter Head with 75/100mm VESA Plate (3-24 lbs.) (MAG-LCD TH-LD BK) \$ 80.00
- Mag LCD Tilter Head with 75/100mm VESA Plate (20-35 lbs.) (MAG-LCD TH-MD BK) \$ 110.00
- Mag LCD 4" Tilt Head Pin Adapter (MAG-LCD MR-04) \$ 48.00
- Mag Baby Pin Riser (MAG-01 VPR-B ST) \$ 68.00
- VPB Adapter to Mag Baby Pin Riser (TR-01 Z) \$ 36.00

Options:

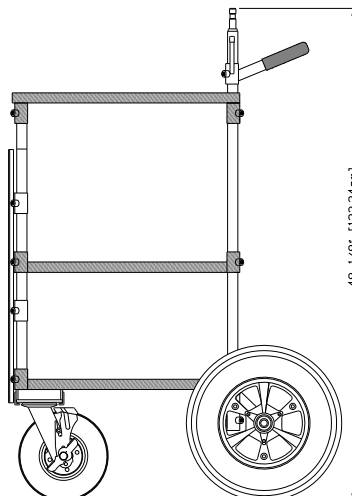
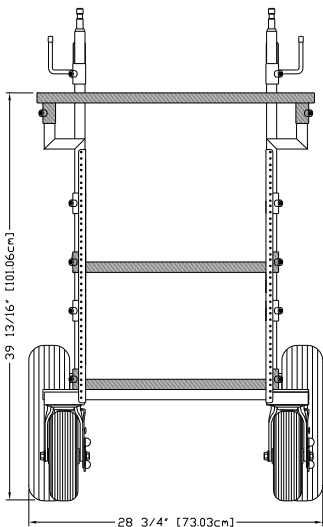
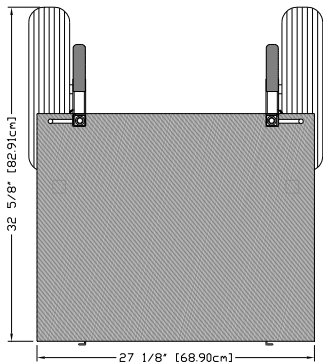
- K/B Mouse Slide Tray (TR-01 MDKB) \$ 215.00
- 20" Knobby BMX Wheel Set (5/8 Bore) (W-20 58X) \$ 150.00
- VPB 20" Axle Set (TR-01 D20-X) \$ 84.00

Replacement parts:

- 8" Pneumatic Swivel Caster Wheel with Brake (W-08 SCBRX) \$ 49.50
- 16" Pneumatic Wheel with 5/8" Bearings (W-16 CC58X) \$ 110.00
- 16" Pneumatic Tire (WA-16 TIRE) \$ 21.00
- 16" Pneumatic Tube (WA-16 TUBE) \$ 9.00
- 5/8" Sealed Bearing (WA-58BR) \$ 2.50 (2) needed per wheel

Shipping Dimensions: (4) Boxes

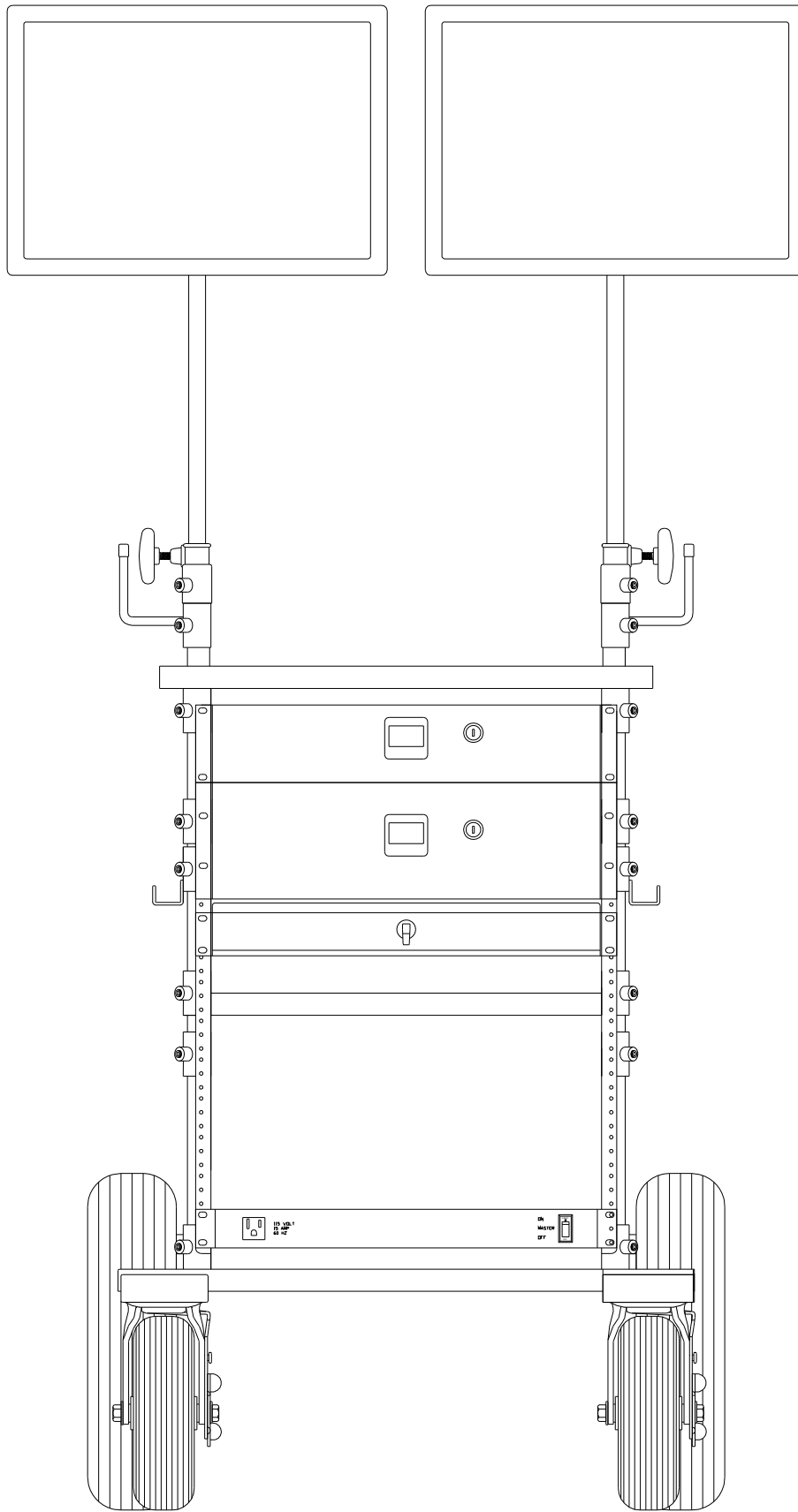
- L26" x W26" x H14" (51 lbs.)
- L66cm x W66cm x H35.6cm (23.2 kgs.)
- L31" x W25" x H6" (13 lbs.)
- L78.7cm x W63.5cm x H15.2cm (5.9 kgs.)
- L31" x W25" x H6" (13 lbs.)
- L78.7cm x W63.5cm x H15.2cm (5.9 kgs.)
- L5" x W5" x H45" (11 lbs.)
- L12.7cm x W12.7cm x H114.3cm (5 kgs.)



TR-01 EFX-8 shown with optional Sliding K/B & Mouse Tray (TR-01 MDKB), Mag Lap Top Tray (MAG-LTP), Mag Swing Arm (MAG-LTA), VPB 5/8" Baby Pin (L) set at 45 degrees (TR-01 S-L 45), Mag Offset Arms (MAG-V OS), Mag-LCD 8" Tilt Head Pin Adapters (MAG-LCD MR-08), Mag LCD Tilter Head with 75/100mm VESA Plates (MAG-LCD THLD BK)



Mag LCD 75/100mm Tilt Head (MAG-LCD TH-LD BK) & Mag LCD 8" Tilt Head Pin Adapter (MAG-LCD MR-08) attached to TR-01 VPB Cart's 5/8" Baby Pin



Backstage Equipment, Inc.

8052 Lankershim Bl. • North Hollywood, CA 91605 • USA

Tel (818) 504-6026 • Fax (818) 504-6180 • info@backstageweb.com • www.backstageweb.com