

# SkyPanel Carts



# SkyPanel 120 Cart

## Part No. E-17

**Sale Price:** \$ 3,150.00

**Material:** Steel

**Color:** Black Texture

**Max. Capacity:** 1000 lbs. / 454.6 kgs.

**Weight:** 476 lbs. / 216.4 kgs.

**Dimensions:** L60" x W28" x H75"

L152.4cm x W71.1cm x H190.5cm

### Features:

- All Steel Construction
- Accommodates up to eight (8) SkyPanel 120 or 60 or 30 Fixtures
- Accommodates up to eight (8) SkyPanel 60 and eight (8) SkyPanel 30 Fixtures with optional SkyPanel Stackable Shelves
- Accommodates up to sixteen (16) SkyPanel 30 with optional SkyPanel Stackable Shelves
- Accommodates up to eight (8) Power Supplies and Cables
- "D" Style Push / Pull Handles
- Wheels: (2) 10" Swivel Casters & (2) 10" Rigid Casters
- Jockey Box Holds (2) Half Milk Crates
- Locking Bars (4) keep SkyPanels secured in cart
- Foot Brake

### Accessories:

- SkyPanel Stackable Shelf (A-17 B) \$ 155.00

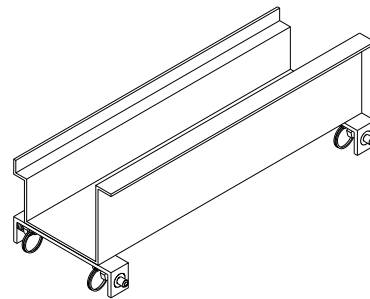
### Options:

- Half Milk Crate (B-05) \$ 20.00
- Half Milk Crate Liner (B-06) \$ 12.00
- Foam Filled Tires (4) (WA-10 FOAM CTR) \$ 196.00

### Replacement parts:

- 10" Pneumatic Tire (WA-10 TIRE) \$ 23.00
- 10" Pneumatic Tube (WA-10 TUBE) \$ 8.75
- 10" Pneumatic Rigid Caster Wheel (W-10 RCX) \$ 59.50
- 10" Pneumatic Swivel Caster Wheel (W-10 SCX) \$ 65.00
- Locking Bar (E-17 C) \$ 72.00

**Shipping Dimensions:** L57" x W29" x H80" (494 lbs.) Includes Pallet  
L144.8cm x W73.7cm x H203.2cm (224.6 kgs.)

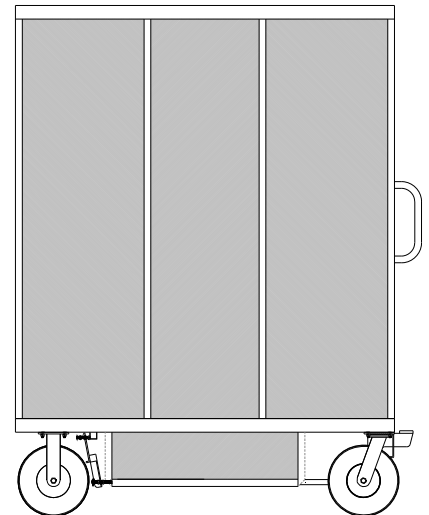
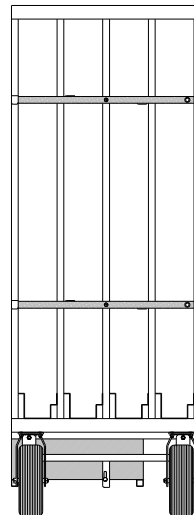
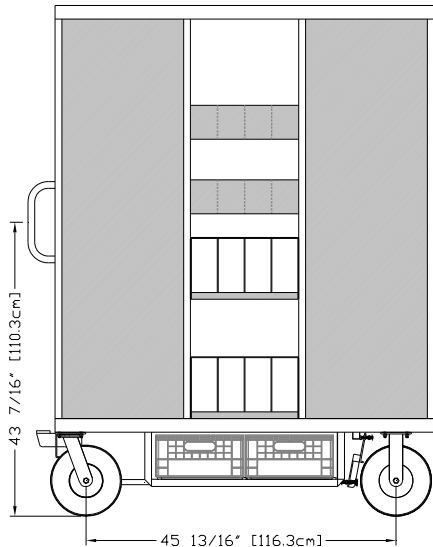
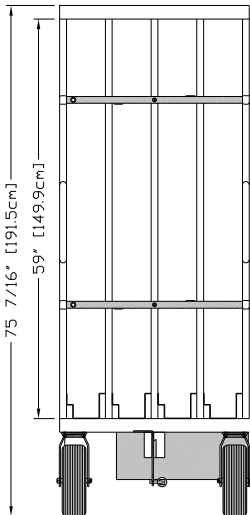
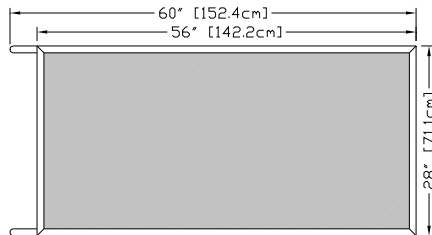
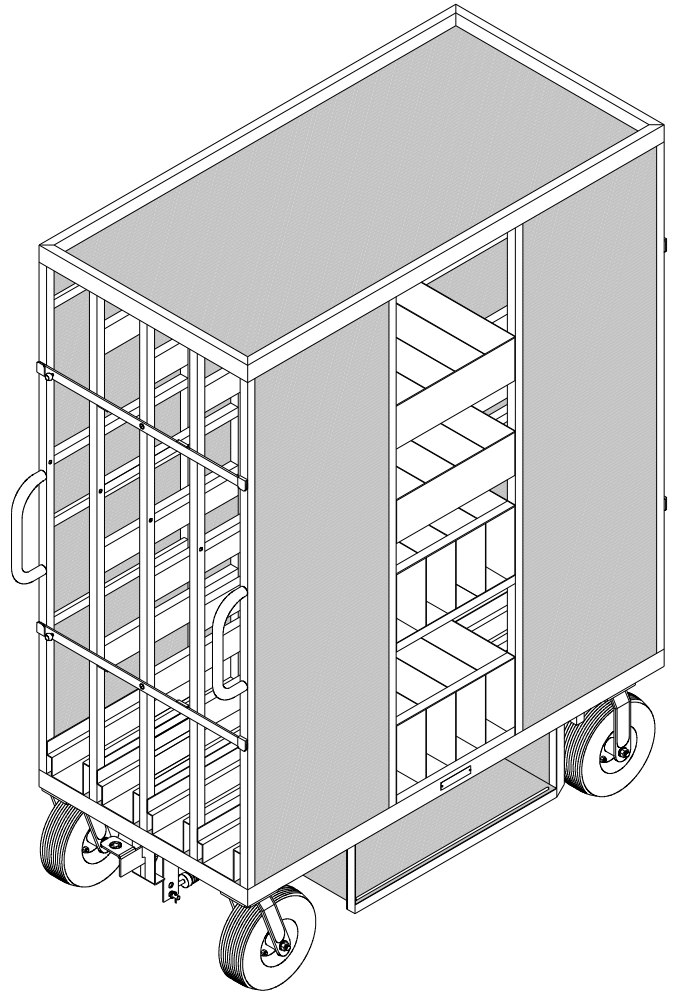


SkyPanel Stackable Shelf (A-17 B) \$ 145.00





# SkyPanel 120 Cart (Cont.)





# SkyPanel 60 Cart

## Part No. E-18 MINI

**Sale Price:** \$ 2,650.00

**Material:** Steel

**Color:** Black Texture

**Max. Capacity:** 1000 lbs. / 454.6 kgs.

**Weight:** 273 lbs. / 124 kgs.

**Dimensions:** L48" x W21 1/4" x H51 1/4"  
L122cm x W54cm x H130.2cm

### Features:

- All Steel Construction
- Accomodates up to five (5) SkyPanel 60 or 30 Fixtures
- Accomodates up to five (5) Power Supplies and Cables
- Accomodates three (3) Full Size Milk Crates
- "D" Style Push / Pull Handles
- Wheels: (2) 10" Swivel Casters & (2) 10" Rigid Casters
- Jockey Box Holds (1) Half Milk Crate
- Locking Bars (2) keep SkyPanels secured in cart
- Foot Brake

### Accessories:

#### Options:

- Full Milk Crate **(B-03)** \$ 20.00
- Half Milk Crate **(B-05)** \$ 20.00
- Full Milk Crate Liner **(B-04)** \$ 12.50
- Half Milk Crate Liner **(B-06)** \$ 12.00
- Foam Filled Tires (4) **(WA-10 FOAM CTR)** \$ 196.00

#### Replacement parts:

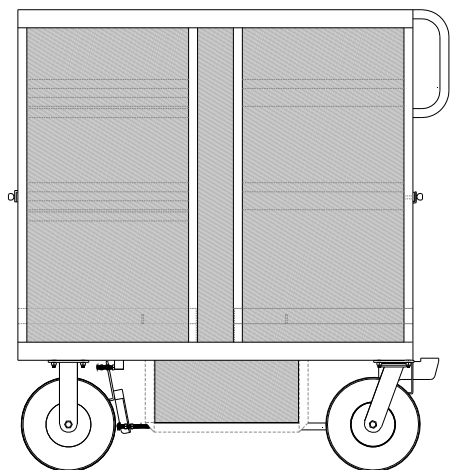
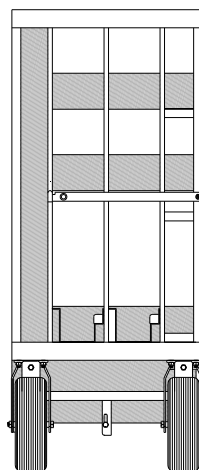
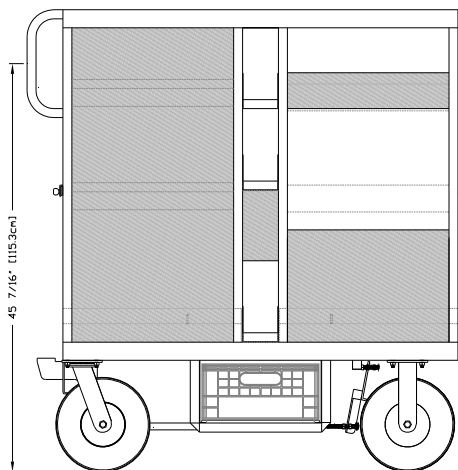
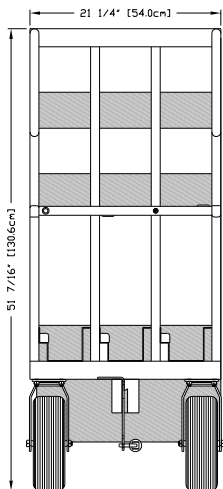
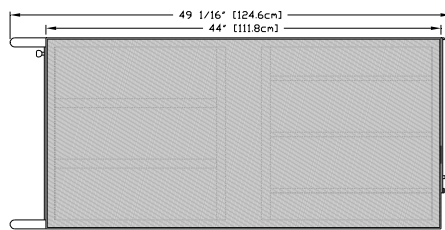
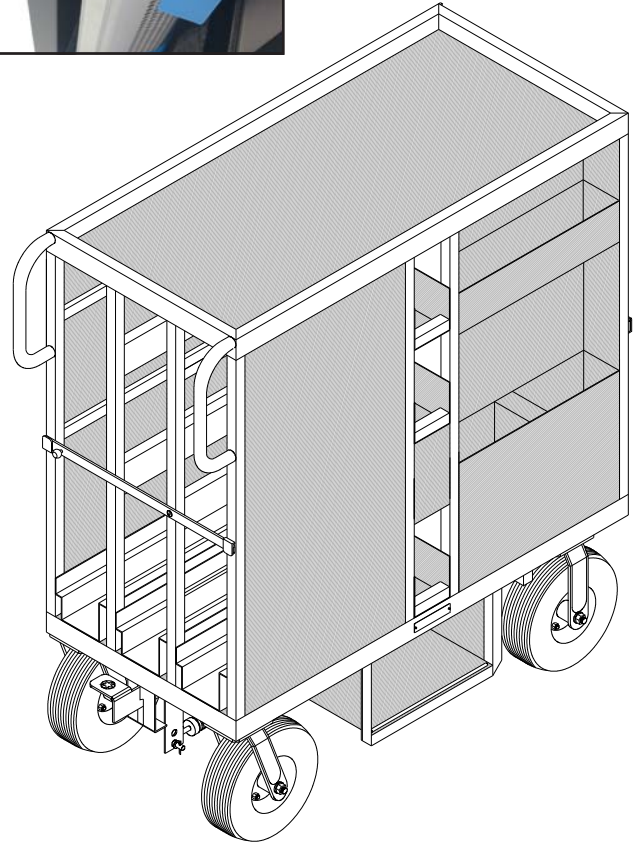
- 10" Pneumatic Tire **(WA-10 TIRE)** \$ 23.00
- 10" Pneumatic Tube **(WA-10 TUBE)** \$ 8.75
- 10" Pneumatic Rigid Caster Wheel **(W-10 RCX)** \$ 59.50
- 10" Pneumatic Swivel Caster Wheel **(W-10 SCX)** \$ 65.00
- Front Locking Bar **(E-18 MINI D)** \$ 47.50
- Rear Locking Bar **(E-18 MINI E)** \$ 52.00

**Shipping Dimensions:** L49" x W22" x H57" (300 lbs.) Includes Pallet  
L124.5cm x W55.9cm x H144.8cm (136.4 kgs.)





# SkyPanel 60 Cart (Cont.)



# SkyPanel 360 Cart (Dual)

Part No. E-19

Sale Price: \$ 3,250.00

Material: Steel

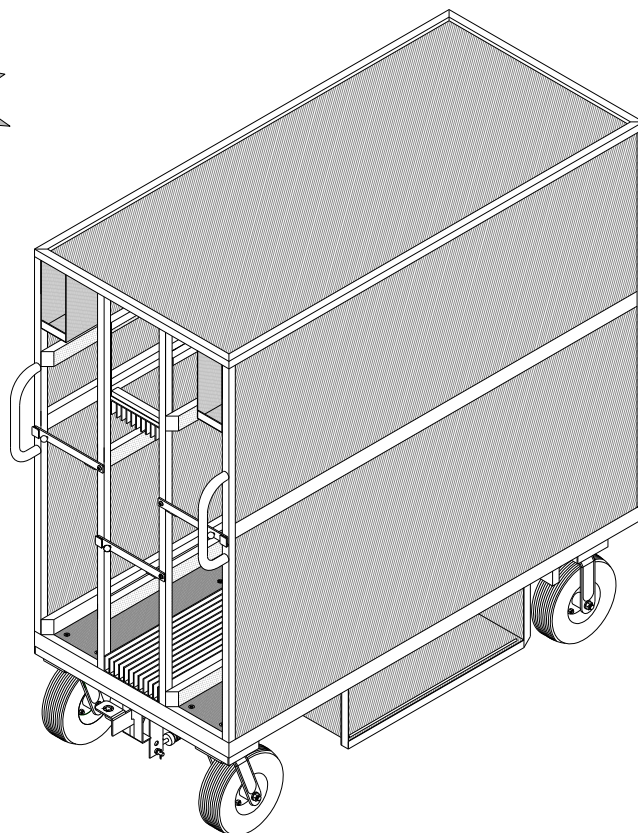
Color: Black Texture

Max. Capacity: 1000 lbs. / 454.6 kgs.

Weight: 435 lbs. / 197.7 kgs.

Dimensions: L68" x W30" x H66"

L172.7cm x W76.2cm x H167.6cm



## Features:

- All Steel Construction
- Accommodates (2) SkyPanel 360
- Accommodates (2) Power Supply Units and Cables
- Accommodates up to (11) SkyPanel 360 Diffusion or/and Intensifiers
- Accommodates (2) Short Yokes
- "D" Style Push / Pull Handles
- Wheels: (2) 10" Swivel Casters & (2) 10" Rigid Casters
- Jockey Box Holds (2) Half Milk Crates
- Locking Bars (2) keep SkyPanels secured in cart
- Foot Brake

## Accessories:

### Options:

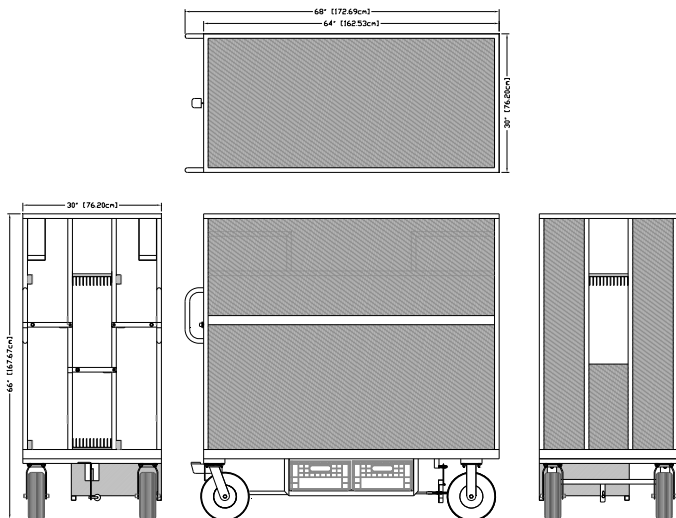
- Half Milk Crate (B-05) \$ 20.00
- Half Milk Crate Liner (B-06) \$ 12.00
- Foam Filled Tires (4) (WA-10 FOAM CTR) \$ 196.00

### Replacement parts:

- 10" Pneumatic Tire (WA-10 TIRE) \$ 23.00
- 10" Pneumatic Tube (WA-10 TUBE) \$ 8.75
- 10" Pneumatic Rigid Caster Wheel (W-10 RCX) \$ 59.50
- 10" Pneumatic Swivel Caster Wheel (W-10 SCX) \$ 65.00
- Locking Bar (E-19 G) \$ 39.00

Shipping Dimensions: L69" x W31" x H72" (480 lbs.) Includes Pallet  
L175.3cm x W78.8cm x H182.9cm (218.2 kgs.)

NOTE: Milk Crates not included



ARRI S360 SkyPanel courtesy of ARRI, Inc.



# SkyPanel 360 Cart (Single)

**Part No. E-20**

**Sale Price:** \$ 2,950.00

**Material:** Steel

**Color:** Black Texture

**Max. Capacity:** 1000 lbs. /454.6 kgs.

**Weight:** 375 lbs. / 170.5 kgs.

**Dimensions:** L68" x W21 1/4" x H66"

L172.7cm x W54cm x H167.6cm

**Features:**

- All Steel Construction
- Accommodates (1) SkyPanel 360
- Accommodates (1) Power Supply Unit and Cables
- Accommodates up to (11) SkyPanel 360 Diffusion or/and Intensifiers
- Accommodates (1) Short Yoke
- "D" Style Push / Pull Handles
- Wheels: (2) 10" Swivel Casters & (2) 10" Rigid Casters
- Jockey Box Holds (2) Half Milk Crates
- Locking Bars (2) keeps SkyPanel and Diffusion secured in cart
- Foot Brake

**Accessories:**

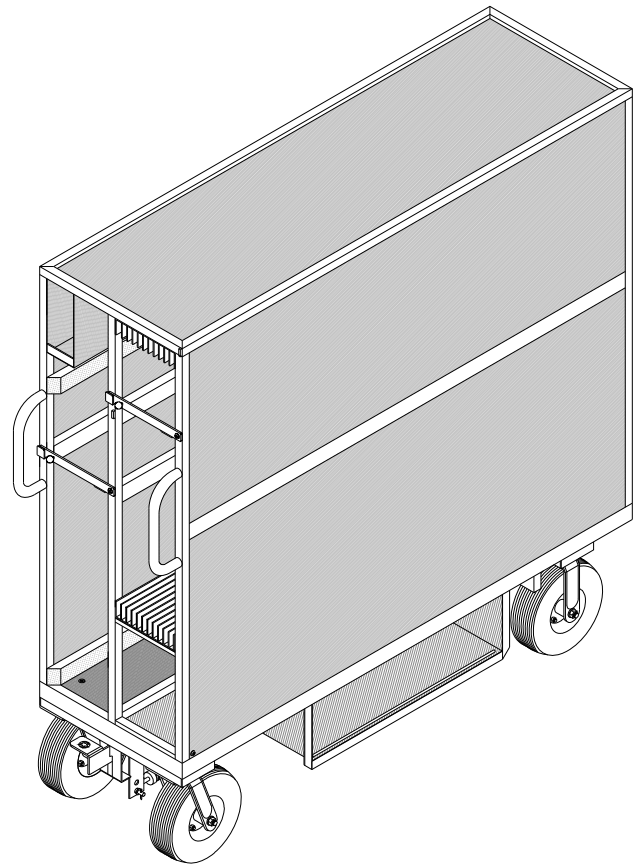
**Options:**

- Half Milk Crate **(B-05)** \$ 20.00
- Half Milk Crate Liner **(B-06)** \$ 12.00
- Foam Filled Tires (4) **(WA-10 FOAM CTR)** \$ 196.00

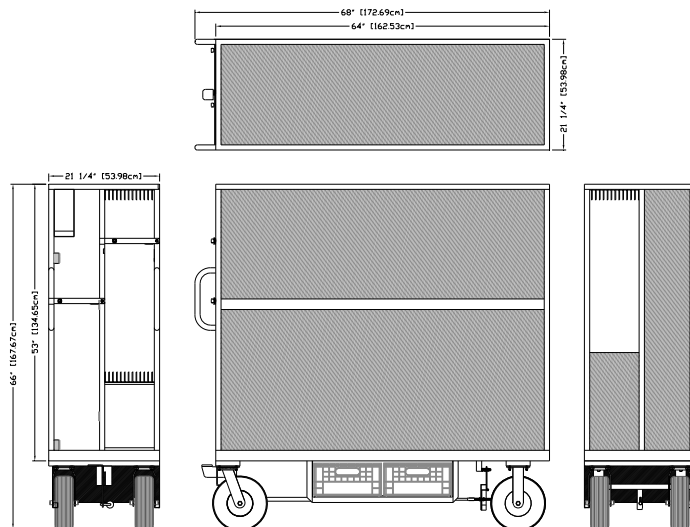
**Replacement parts:**

- 10" Pneumatic Tire **(WA-10 TIRE)** \$ 23.00
- 10" Pneumatic Tube **(WA-10 TUBE)** \$ 8.75
- 10" Pneumatic Rigid Caster Wheel **(W-10 RCX)** \$ 59.50
- 10" Pneumatic Swivel Caster Wheel **(W-10 SCX)** \$ 65.00
- Locking Bar **(E-19 G)** \$ 39.00

**Shipping Dimensions:** L69" x W22" x H72" (422 lbs.) Includes Pallet  
L175.3cm x W55.9cm x H182.9cm (218.2 kgs.)



**NOTE: Milk Crates not included**





## **Backstage Equipment, Inc.**

8052 Lankershim Bl. • North Hollywood, CA 91605 • USA

Tel (818) 504-6026 • Fax (818) 504-6180 • [info@backstageweb.com](mailto:info@backstageweb.com) • [www.backstageweb.com](http://www.backstageweb.com)