

# Camera Case Carts





# Camera Case Cart (Aluminum)

**Part No. TR-04**

**Sale Price:** \$ 1,925.00

**Material:** Aluminum

**Color:** Black Texture

**Max. Capacity:** 1,000 lbs. / 454 kgs.

**Weight:** 100 lbs. / 45.5 kgs.

**Dimensions:** L55 3/16" x W24 9/16" x H52 3/4"  
 L140.2cm x W62.4cm x H134cm  
 (Case ready) L55 3/16" x W24 9/16" x H8 5/8"  
 (Case ready) L140.2cm x W62.4cm x H21.9cm

**Features:**

- Adjustable Top Shelf (L51" x W24 5/16" ID) (L129.5cm x W61.8cm ID)
- Stationary Bottom Shelf (L51" x W24 5/16" ID) (L129.5cm x W61.8cm ID)
- Full Size Push/Pull Handle
- A.C. Ready
- Removable Wheels with Safety Lock
- Wheels: (2) 10" Rigid Caster & (2) 10" Swivel Caster With Brake
- Transformer system, fully collapsible
- 5/32" and 3/16" Allen Wrench is all you need to dismantle

**Accessories:**

- Dove Tail Mount w/ Front Box Holder (**TR-04 DT**) \$ 250.00
- Mitchell Mount w/ Front Box Holder (**TR-04 M**) \$ 270.00
- 100mm Euro Mount w/ Front Box Holder (**TR-04 EU-100**) \$ 320.00
- 150mm Euro Mount w/ Front Box Holder (**TR-04 EU-150**) \$ 340.00
- Front Box (**MAG-FB**) \$ 265.00
- Tripod Holder with Baby Pin (5/8") (**TR-04 TP**) \$ 189.00
- Cross Bar with Baby 5/8" Pin (**TR-04 S**) \$ 135.00
- Steadi-Cam Riser Unit with Bumper (**TR-04 SPR**) \$ 437.00
- Steadi-Cam Vest Holder (**TR-04 SV**) \$ 189.00
- Steadi-Cam Stand Holder (**MAG-SS ES**) \$ 70.00
- Push Handles (pair) (**TR-04 H**) \$ 103.00
- 46" Camera Utility Box (**MAG-UB46**) \$ 135.00
- Sand Dune Wheel Kit (**TR-04 W**) \$ 675.00
- ADP 5/8" Baby Pin (**PIN (ADP)**) \$ 85.00
- Umbrella Holder (detachable) (**MAG-UH**) \$ 103.00
- A.C. with Standard Household Outlets (6) (**TR-04 AC STD**) \$ 221.00
- A.C. with Standard Household Outlets (6) and (2) USB Chargers (**TR-04 AC STD USB**) \$ 254.00
- A.C. with GFCI Outlets (6) (**TR-04 AC GFCI**) \$ 319.00
- A.C. with Spike Protection Outlets (6) (**TR-04 AC SP**) \$ 427.00
- 51" Horizontal Cross Bar (**TR-04 SH**) \$ 157.00 (5/8" Snap-On Pin not included)
- 24" Cross Bar (**TR-04 SH CB**) \$ 119.00 (5/8" Snap-On Pin not included)
- Universal Snap-On 5/8" Baby Pin for Cross Bars (**TR-04 SHP**) \$ 81.00

**Options:**

- Foam Filled Tires (**WA-10 FOAM CTR**) \$ 196.00
- Middle Shelf (**TR-04 A3**) \$ 545.00

**Replacement parts:**

- 10" Pneumatic Tire (**WA-10 TIRE**) \$ 23.00
- 10" Pneumatic Tube (**WA-10 TUBE**) \$ 8.75
- 10" Pneumatic Rigid Caster Wheel (**W-10 RCX**) \$ 59.50
- 10" Pneumatic Swivel Caster Wheel with Brakes (**W-10 SCBRX**) \$ 73.00

Shipping Dimensions: L57" x W28" x H15" (143 lbs.) w/Pallet  
 L145cm x W71.1cm x H38.1cm (65 kgs.) w/Pallet



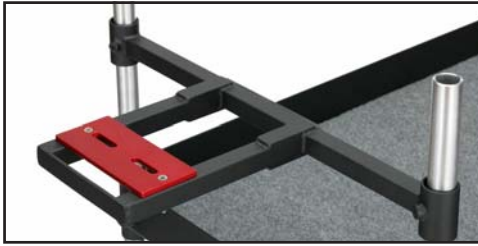
The Aluminum Camera Case Cart is a fully collapsible cart. It is held together by four round posts which attach to a bottom and top shelf by using telescopic locks operated with a 5/32 Allen wrench. All accessories are attached in the same manner. Top Shelf is adjustable and can be set at any height. The wheels are detached by sliding them out of a rail unit secured by a hex screw and safety button. Cart breaks down to a self-contained travel case. Note: TR-04 and TR-04 JR Carts come A.C. ready.



TR-04 AC with GFCI Outlets & 120v Input & Output Courtesy Plug



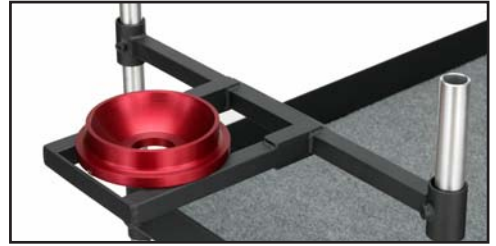
# Camera Case Cart (Cont.)



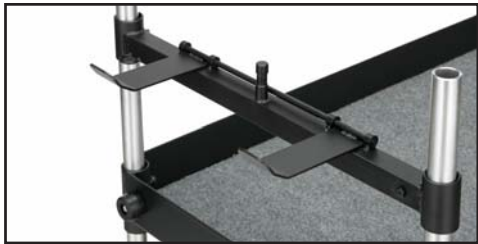
Dove Tail Mount (TR-04 DT)



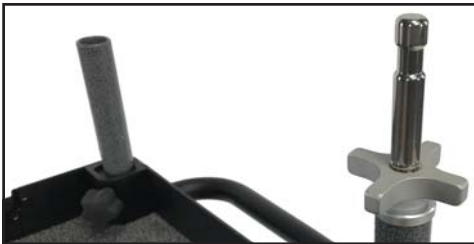
Mitchell Mount (TR-04 M)



150mm Euroball Mount (TR-04 EU150)



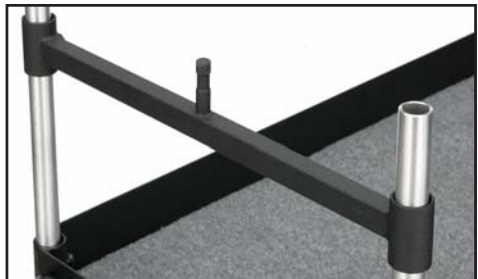
Tripod Holder with 5/8" Baby Pin (TR-04 TP)



ADP 5/8" Baby Pin Mounted on Vertical Pole



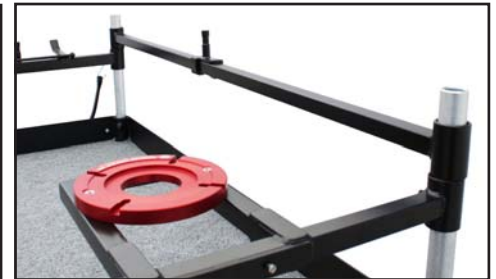
Umbrella Holder (MAG-UH) mounted on Cross Bar



Cross Bar with 5/8" Baby Pin (TR-04 S)



Hi/Lo Hat Holder (TR-04 O)



Horizontal Cross Bar with Universal Snap-On Pin



Universal Snap-On 5/8" Baby Pin (SHP)



New Style Support Corner with internal Locking Shoe

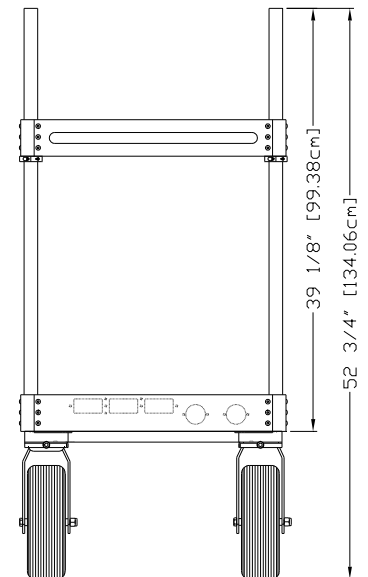
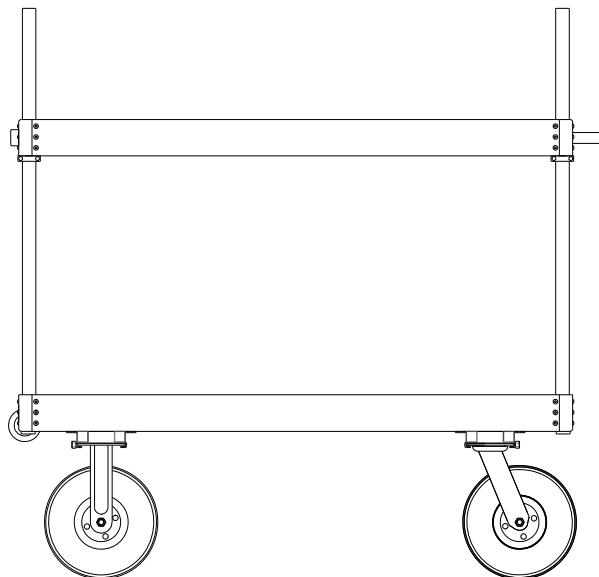
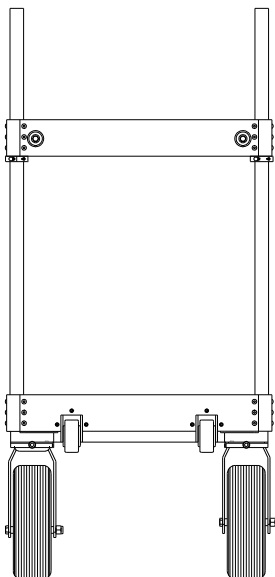
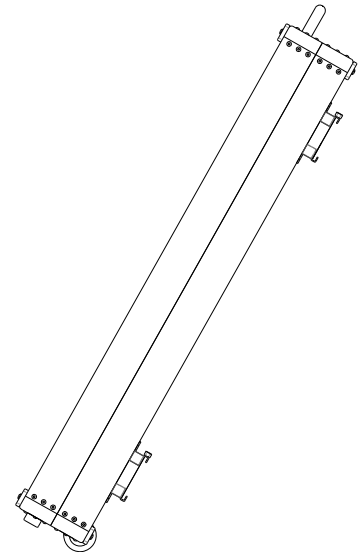
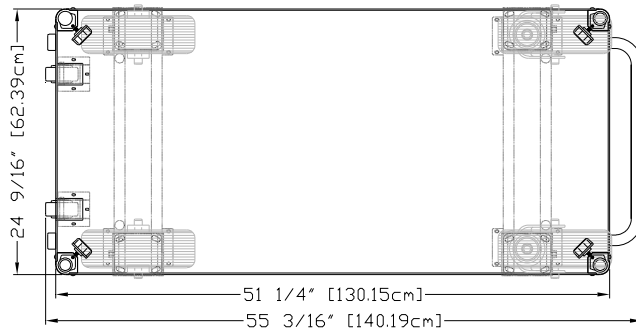
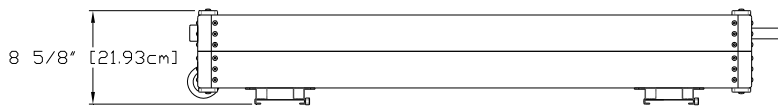
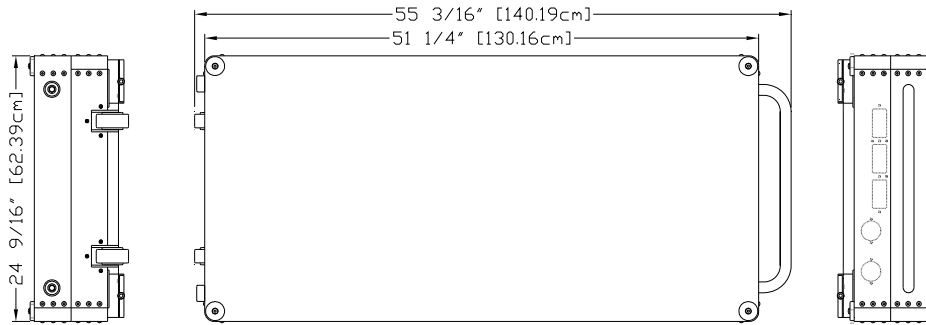


Steady-Cam Stand Holder (MAG-SS ES)





# Camera Case Cart (Cont.)



# Junior Camera Case Cart (Aluminum)

## Part No. TR-04 JR

**Sale Price:** \$ 1,875.00

**Material:** Aluminum

**Color:** Black Texture

**Max. Capacity:** 1,000 lbs. / 454 kgs.

**Weight:** 96 lbs. / 43.6 kgs.

**Dimensions:** L39 15/16" x W24 9/16" x H52 3/4"

L101.4cm x W62.4cm x H134cm

(Case ready) L39 15/16" x W24 9/16" x H8 11/16"

(Case ready) L101.4cm x W62.4cm x H22.1cm

### Features:

- All aluminum construction
- Adjustable Top Shelf (L35 3/4" x W24 5/16" ID) (L90.8cm x W61.8cm ID)
- Stationary Bottom Shelf (L35 3/4" x W24 5/16" ID) (L90.8cm x W61.8cm ID)
- Full Size Push/Pull Handle
- A.C. Ready
- Wheels: (2) 10" Rigid Caster & (2) 10" Swivel Caster With Brake
- Transformer system, fully collapsible

### Accessories:

- Dove Tail Mount w/ Front Box Holder (**TR-04 DT**) \$ 250.00
- Mitchell Mount w/ Front Box Holder (**TR-04 M**) \$ 270.00
- 100mm Euro Mount w/ Front Box Holder (**TR-04 EU-100**) \$ 320.00
- 150mm Euro Mount w/ Front Box Holder (**TR-04 EU-150**) \$ 340.00
- Front Box (**MAG-FB**) \$ 265.00
- Tripod Holder with Baby Pin (5/8") (**TR-04 TP**) \$ 189.00
- Cross Bar with Baby 5/8" Pin (**TR-04 S**) \$ 135.00
- Steadi-Cam Riser Unit with Bumper (**TR-04 SPR**) \$ 437.00
- Steadi-Cam Vest Holder (**TR-04 SV**) \$ 189.00
- Steadi-Cam Stand Holder (**MAG-SS ES**) \$ 70.00
- Push Handles (pair) (**TR-04 H**) \$ 103.00
- 31" Camera Case Cart Utility Box (**TR-04 JR UB31**) \$ 117.00
- Sand Dune Wheel Kit (**TR-04 W**) \$ 675.00
- ADP 5/8" Baby Pin (**PIN (ADP)**) \$ 85.00
- Umbrella Holder (detachable) (**MAG-UH**) \$ 103.00
- A.C. with Standard Household Outlets (6) (**TR-04 AC STD**) \$ 221.00
- A.C. with Standard Household Outlets (6) and (2) USB Chargers (**TR-04 AC STD USB**) \$ 254.00
- A.C. with GFCI Outlets (6) (**TR-04 AC GFCI**) \$ 319.00
- A.C. with Spike Protection Outlets (6) (**TR-04 AC SP**) \$ 427.00
- 36" Horizontal Cross Bar (**TR-04 SH JR**) \$ 146.00 (5/8" Snap-On Pin not included)
- 24" Cross Bar (**TR-04 SH CB**) \$ 119.00 (5/8" Snap-On Pin not included)
- Universal Snap-On 5/8" Baby Pin for Cross Bars (**TR-04 SHP**) \$ 81.00

### Options:

- Foam Filled Tires (**WA-10 FOAM CTR**) \$ 196.00
- Middle Shelf (**TR-04 JR A3**) \$ 520.00

### Replacement parts:

- 10" Pneumatic Tire (**WA-10 TIRE**) \$ 23.00
- 10" Pneumatic Tube (**WA-10 TUBE**) \$ 8.75
- 10" Pneumatic Rigid Caster Wheel (**W-10 RCX**) \$ 59.50
- 10" Pneumatic Swivel Caster Wheel with Brakes (**W-10 SCBRX**) \$ 73

**Shipping Dimensions:** L42" x W28" x H15" (135 lbs.) w/Pallet

L106.7cm x W71.1cm x H38.1cm (61.4 kgs.) w/Pallet



TR-04 JR shown with Dove Tail Mount and Tripod Holder

The Junior Camera Case Cart is a fully collapsible cart. It is held together by four round posts which attach to the Top and Bottom Shelf's special receiver, shelves are secured with a Hand Prong. All accessories are attached to the posts and secured with the use of a 5/32" Hex Wrench. Top Shelf is adjustable and can be set at any height. Posts come with a built-in collar to help you set height at your preferred location.

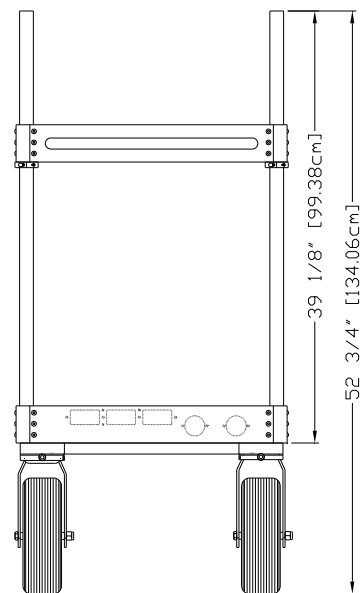
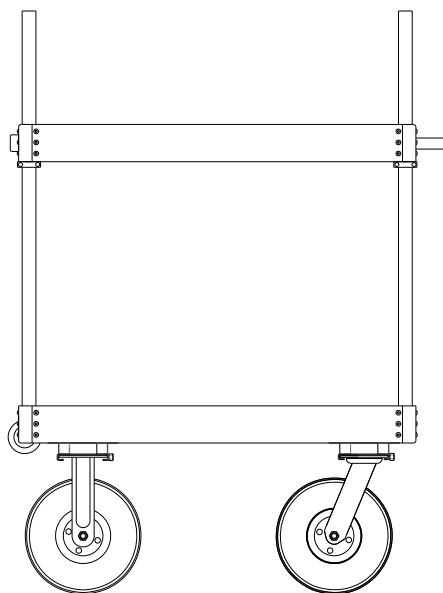
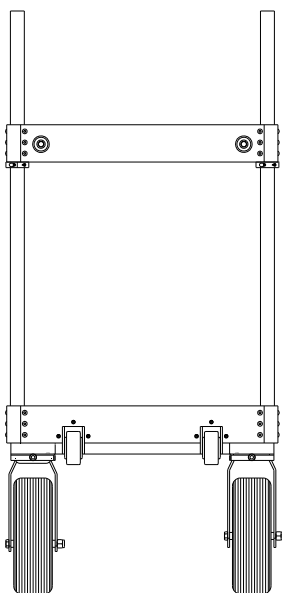
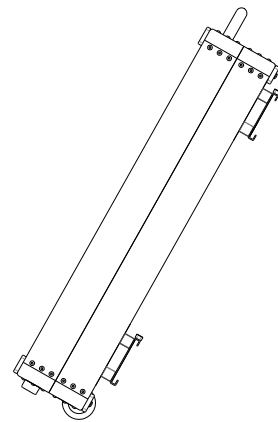
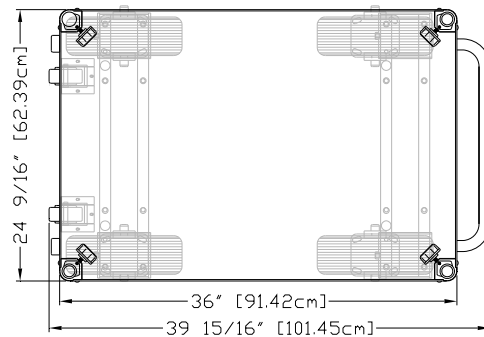
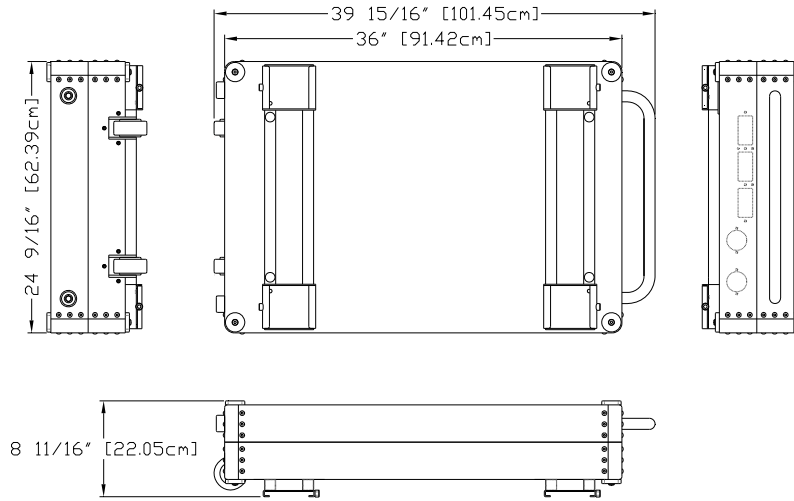
The wheels are detached by sliding them out of a rail unit secured by a 5/32" hex screw and safety button.



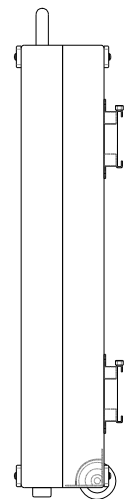
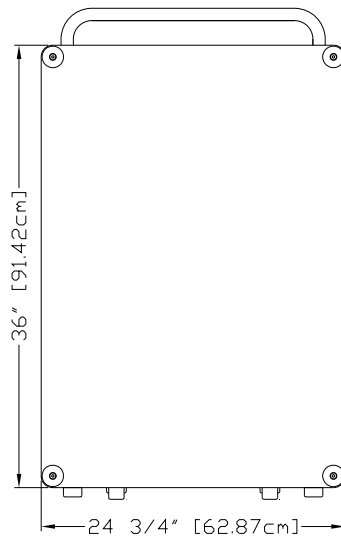
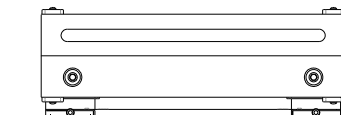
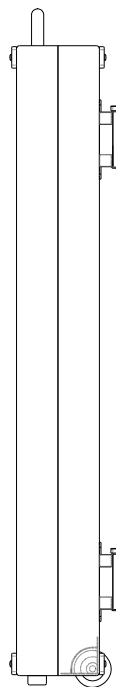
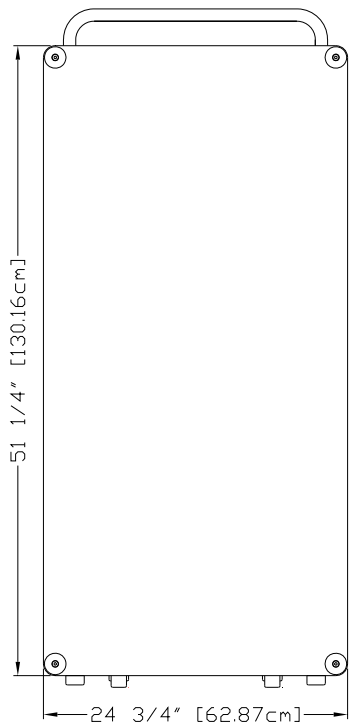
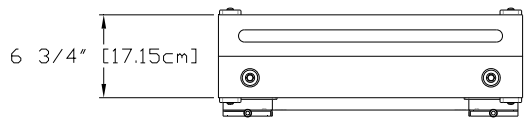
TR-04 shown with Dove Tail Mount and Mag Front Box



# Junior Camera Case Cart (Cont.)







## Backstage Equipment, Inc.

8052 Lankershim Bl. • North Hollywood, CA 91605 • USA

Tel (818) 504-6026 • Fax (818) 504-6180 • info@backstageweb.com • www.backstageweb.com